



2015 » DEALERBOOK





WELCOME TO 2015!

Dear GT Retailer,

As you all know, we're committed to getting people on our bikes. No matter what walk of life our consumers are from, if they are riding a GT, they're stoked, and so are we.

Aside from our diverse range of bikes built to suit anybody's riding style, we are especially proud of 3 new model lines for 2015 that are sure to turn some heads:

Grade - This bike is built for the non-conformist of the Road. A high-performance daily ripper, the Grade is the perfect choice for anyone who wants to go on all-day rides, race a Fondo, or explore those hidden side roads just outside of town. The design wasn't constrained by the usual UCI guidelines of most road bikes, we've loaded up on features that matter to the kind of rider who rebels against what road riding "should" be and wants a bike that knows no bounds.

Helion - When GT started building bikes, it was all about hitting the trails with your buddies, not just gearing up for a long race weekend. We never lost touch with those roots, so we've developed the Helion for the XC rider who wants to go hard with friends and get rewarded with a cold beer instead of a medal. Stable, maneuverable, and lightweight, the all-new GT Helion is the ultimate blend of past, present, and future fun.

Sanction - When we set out to build the best Enduro bike on the market, there were quite a few things we wanted to make sure of. It needed to be easy to pedal, super swift when it comes to acceleration, and unstoppable on Enduro race tracks. What we came up with was the Sanction: a pedal friendly steed with a serious addiction to the awesome effects of gravity. The Sanction has already been race proven on the World Stage, piloted by Dan Atherton and Martin Maes.

In 2015 we remain committed to earn your business! In addition to this year's great new products, your account manager will reveal many new exciting ways of working together. We are making some bold changes to provide the best support to our dealers.

I hope that we all have an outstanding and memorable 2015!

Sincerely,

Dave Manchester
SVP Sales and Marketing, North America



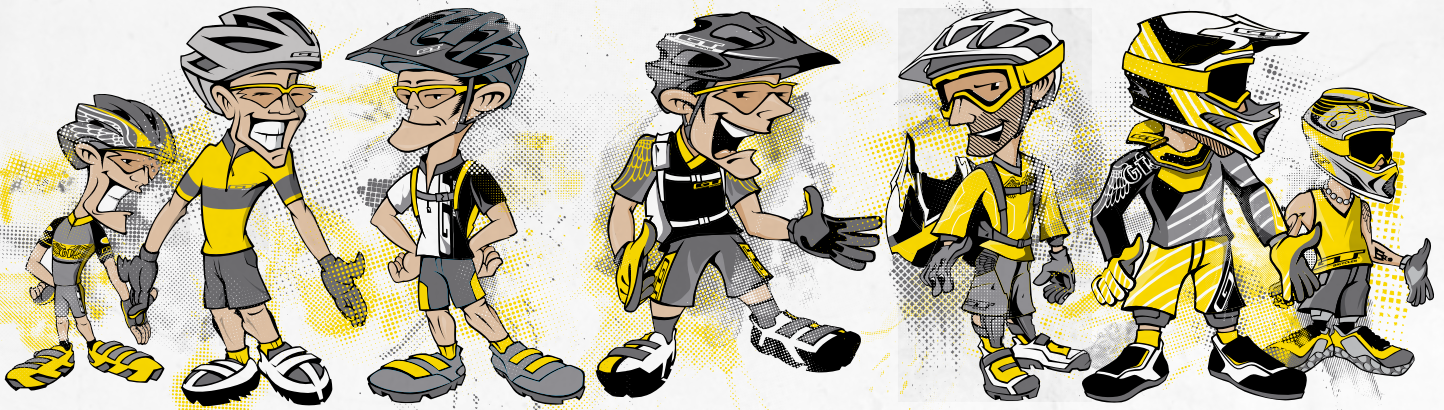
You know that voice in our heads that constantly reminds us exactly where our personal boundaries lie, what our limits are and which direction to turn?

The 2015 line of GT bikes are the pedal powered mute buttons for that nagging conservative conscious of ours. Built by a team of wizards, engineers and riders that live life on two wheels, we couldn't be more proud of this years' lineup.

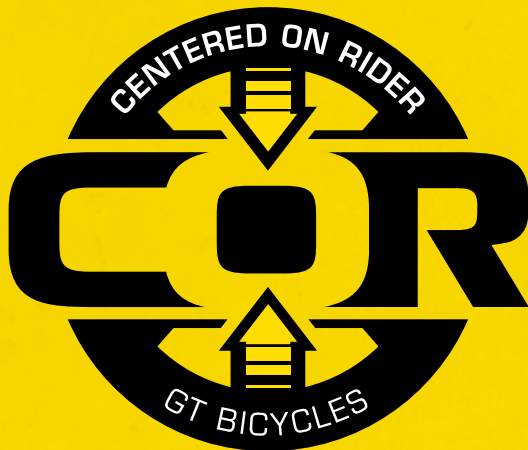
Go ahead, throw your leg over a 2015 GT, tell that inner voice to "shut up" and take a listen... that is the sound of freedom.

CENTERED ON RIDER

C.O.R. PHILOSOPHY



GT'S C.O.R. Philosophy guides our team to build bikes that fit the needs of the rider.



To design the best bikes, we start by thinking about you, the person who will ride it: whether you're an all-mountain rider, a trail rider, or a downhill rider, you have different needs. We believe that knowing why you ride, how you ride, what you ride and where you ride, allows us to design the best possible bike.

This is the essence of our "Centered On Rider" philosophy: we develop bikes that fit your needs and the type of riding you enjoy most. GT has a rich history of leading technological innovation and we take a modern approach to design, but our holistic approach to engineering starts with understanding the relationship between you and your bike.



The trip starts here.

CONTENTS

MOUNTAIN

- » GRAVITY
- » ENDURO
- » ALL MOUNTAIN
- » TRAIL
- » TRAIL HARDTAIL
- » XC
- » REC. HARDTAIL
- » MTBMX

ROAD

- » ENDUROAD
- » SPORT
- » PERFORMANCE

URBAN

- » CITY
- » SPORT

WOMENS

- » MOUNTAIN
- » URBAN

BMX

- » BMX
- » RACE

KIDS

- » BOYS
- » GIRLS

DYNO



MOUNTAIN

ANGLE OPTIMIZED SUSPENSION

GT's Angle Optimized Suspension is the only design that separates your pedal stroke from the actual suspension, so all the effort you put into pedaling stays with your pedaling and your suspension only reacts when you need it to.

We used a high pivot for optimum shock absorption and maximized pedaling efficiency, paired to the PathLink which neutralizes any pedaling induced problems and eliminates chain growth. Everything about the suspension is low. So you are centered above the bike and get handling and comfort like never before.

AOS ANGLE OPTIMIZED SUSPENSION

BUMP COMPLIANCE

A high main pivot allows the wheel movement in the direction of the impact, improving small bump sensitivity.



IMPROVED ROLLING

650B wheels and the pivot placement provides unparalleled roll over performance.



EFFICIENT PEDALING

PathLink minimizes pedal feedback for optimized pedaling.



PATH LINK

Complete drivetrain independence, maximizing pedaling and suspension performance.

INDEPENDENT DRIVETRAIN



Developed in conjunction with GT Factory Racing, we took the Independent Drivetrain™ and made a design focused on gravity performance.

We have made it our goal to bring you something unlike any bike that you've ridden; one that will drive you to progress and take it to your personal edge.

RE-ENGINEERED TO FIT THE NEEDS OF MODERN DOWNHILL RACING AND GRAVITY ENDURO RIDERS

Faster, steeper, highly aggressive, high-velocity

IMPROVED SMALL BUMP SENSITIVITY

Reduced breakaway threshold (pressure required to initiate suspension activity)

IMPROVED BOTTOM OUT RESISTANCE

10% suspension progressivity

IMPROVED PEDALING EFFICIENCY

Reduced pedal feedback, increased BB and HT stiffness = more power to drivetrain with less flex, improved suspension sensitivity = better wheel tracking and traction

OUR 27.5 STORY

We know you have options when it comes to choosing a bike, and that's why we wanted to make the decision an easy one. When we designed GT's bikes around a mid-size wheel, it was with the rider in mind. The 27.5" wheel provides greater rollover vs a 26" wheel without the added weight that comes with a bigger 29" wheel. It's like a match made in heaven.

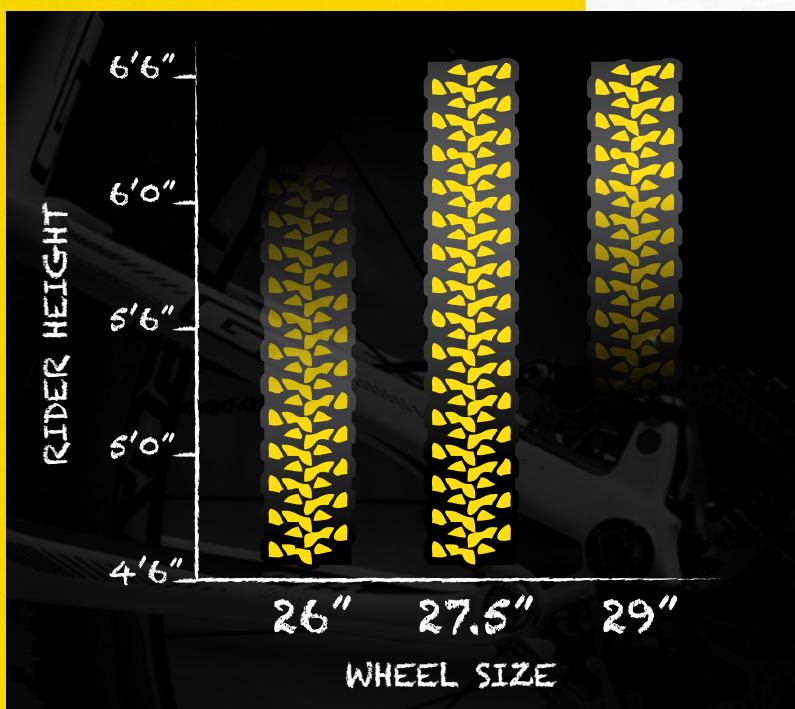
The 27.5" wheel also means a better fit for riders of all sizes. From an XS all the way up to an XL, the wheels fit the rider so they never have to compromise on ride feel.

*Added bonus for retailers: you can stock more bikes with fewer SKU's because the 27.5" works for cyclists of all sizes.

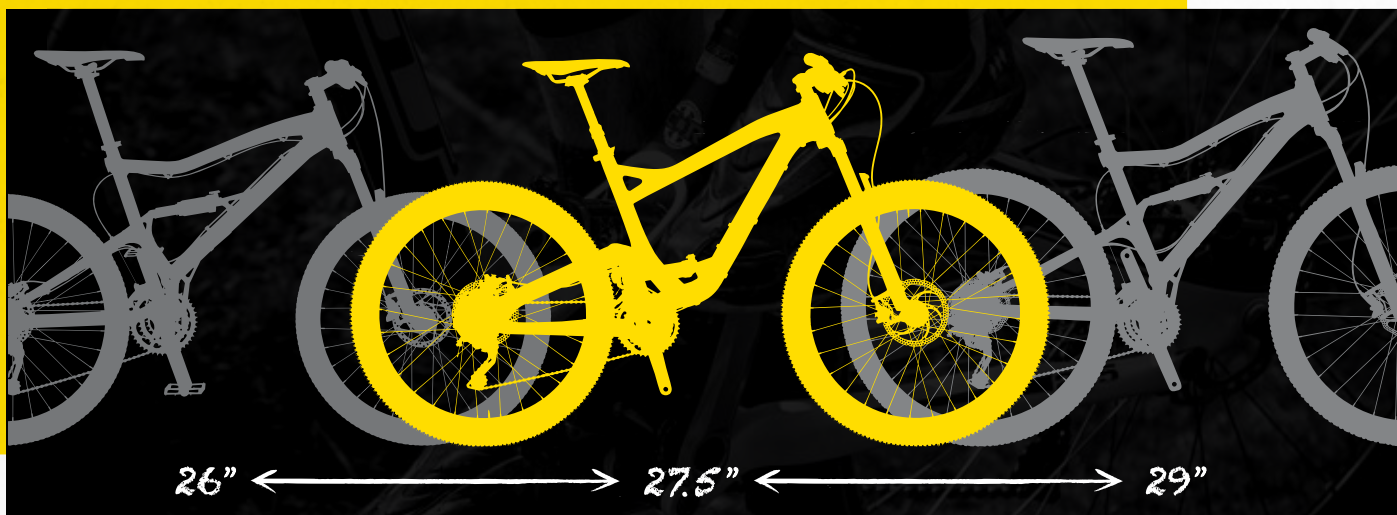
27.5
650B

When you stop to consider all of the benefits you get from 27.5" wheels, perhaps the biggest one is frame geometry. Since we didn't have to compete with the size of a 29er wheel, we could design a geometry that allows you to enjoy the ride.

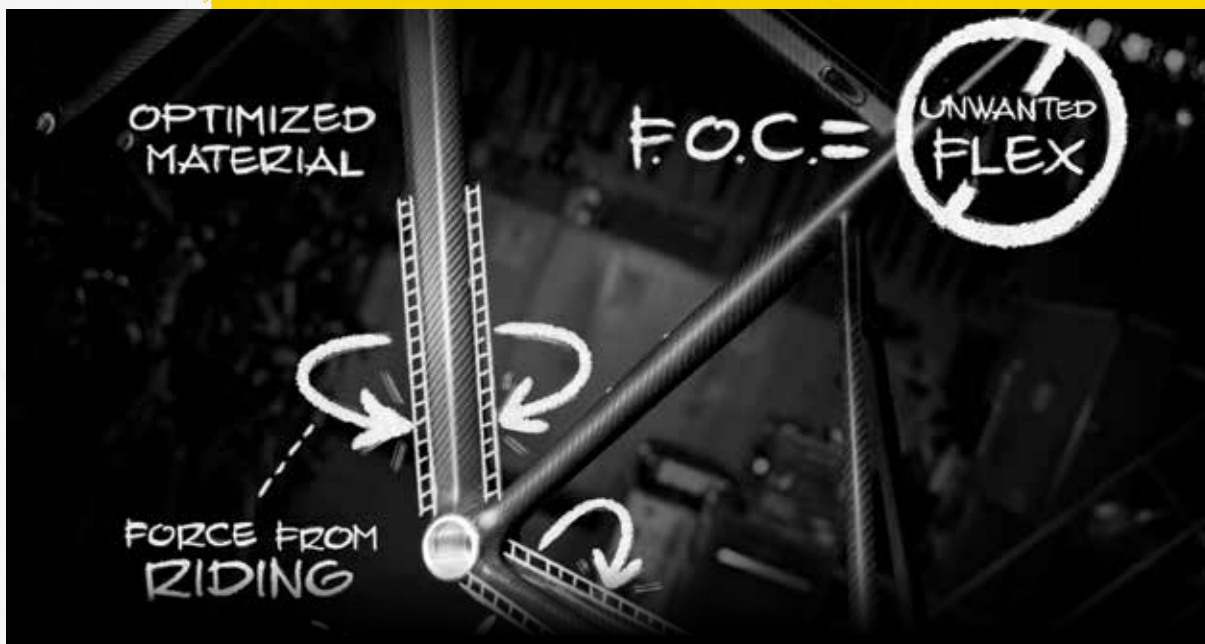
GT's 27.5" bikes are a happy medium of the two wheel sizes, with better roll over, increased momentum, and more traction than a 26", but with a smaller rotational mass, more agility, lighter weight, and better acceleration than a 29er. It really is the best of both worlds.



In the end, the way we design our bikes is not just based on how fast they roll, because we know there's a lot more to your ride than just going downhill. It's also about how your bike performs when you're accelerating, braking, and climbing. The 27.5" wheels seamlessly blend everything you need into one incredible ride. wheel without the added weight that comes with a bigger 29" wheel. It's like a match made in heaven.



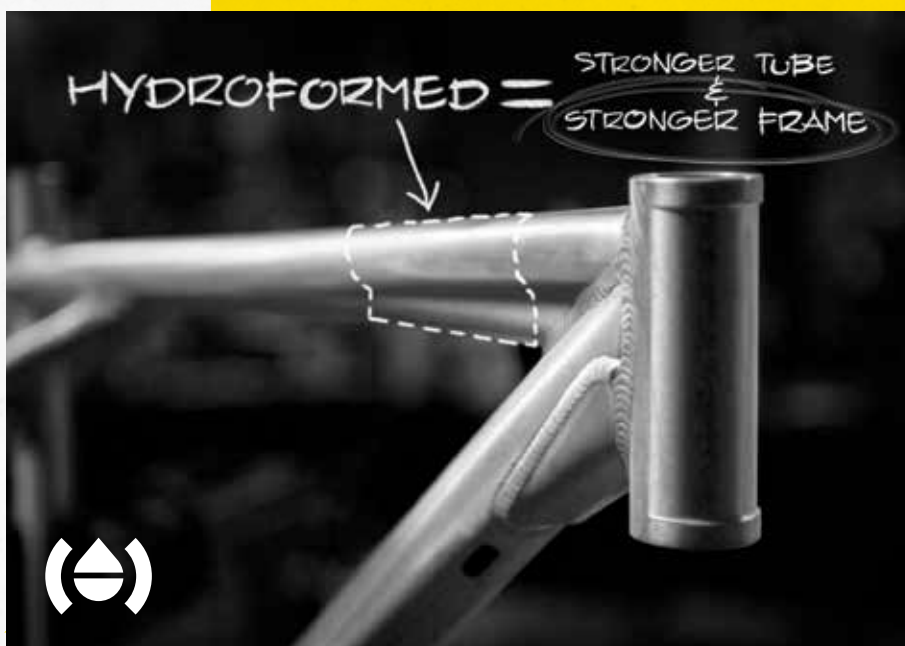
FRAME CONSTRUCTION



FORCE OPTIMIZED CONSTRUCTION



Our FOC Ultra frame construction method, which takes a minimalist approach to carbon fabrication by using the fewest possible layers of high-modulus carbon to achieve a stiff, reliable, and responsive ride. We focused on Center Stiffness with a 2-part forged, welded bottom bracket and wide-set bearings, connected by through-axle pivots. In the rear of the bike, we have dual-bearing pivots to distribute the load and maximize the stiffness of the rear axle.



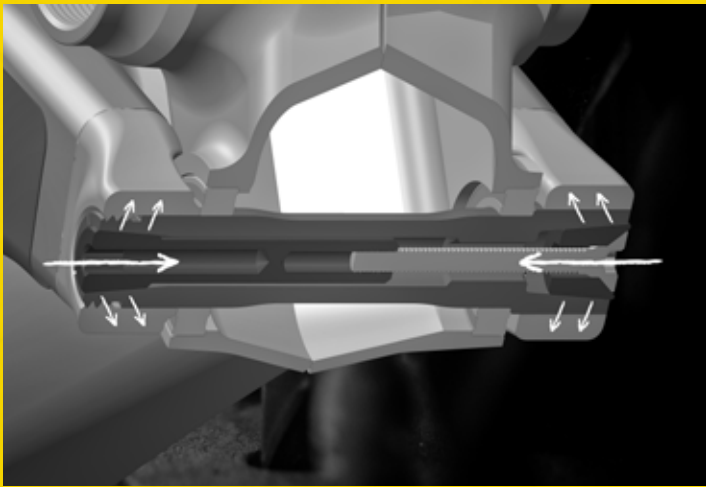
HYDROFORMED

After countless hours of R&D devoted to analyzing every angle, tube and component we started with eliminating the weight and bulk of gussets by putting the top tube through a 2-stage hydroforming process. The Center Stiffness is high with a low 2-part forged, welded bottom bracket and wide-set bearings that distribute the load across the axle. A stretched out top tube gives you great handlebar reach too, so your ride is cushy and supremely stable..

LOCKR EXPANDING AXLE SYSTEM

The Helion features our new pivot system that expands within itself, kind of like many of the front axles found on forks. The LOCKR Expanding Axle System allowed us to reduce the number of parts needed by 33%, while increasing the stiffness by 6% and making the whole thing 10% lighter than it was with the pinch bolt. In our world, those are the kind of numbers that measure success.

LOCKR EXPANDING AXLE SYSTEM



STIFFER

A rigid joint between the axle and the frame is accomplished by expanding the axle on both sides into the frame member. This allows the axle to transmit torque side-to-side and increase frame stiffness.



LIGHTER

With a weight reduction of almost 50g for the three axles on the Helion, LOCKR does more with less. The main weight reduction is on all the frame pieces that no longer need to have extra material to support pinch bolts or the required pinch bolt hardware.



GRAVITY

Whether you're the kind of rider who spends half the year chasing the dirt waves or you train through the winter to keep yourself on the podium, you need a rig that stands up to the rigors of the gravity life. The GT Fury is built to take you further and faster than ever before, with 200mm of travel for the big hits and our patented Independent Drivetrain system to keep you pedaling smooth the whole way down.

GRAVITY PHILOSOPHY

Whether he's a Resort Rat or out there testing against the clock, the Gravity Rider needs a bike that can stand up to the rigors of gravity riding. Our downhill rigs are built for the rider who is not looking to compromise performance in any way. A gravity rider will want to jump further and ride faster, so don't expect him to ever back out.

FIT

This is where the wide bar phenomenon started! DH riding is all about control and GT makes sure that we spec our bikes to give you the most control. Direct mount 30mm stems and 800mm wide bars will give you all the control you need only if you can hold on. You better start doing push and pull ups!

TUNE

The Atherton's and Marc Beaumont have had complete input into the development of this bike. Everything from the geometry to how the bike should feel through every type of terrain possible was taken into account. What came out was a bike that is going to separate the men from the boys in the world of DH product development.

FUNCTION

220mm rear travel with a DH specific designed ID system and 203mm in the front will give you a bike that will stick to the ground when you want it and will take flight as needed. We have worked with the Atherton's from day one of this project to make sure that the geometry was spot on. Yeah its alloy but it is still 300g lighter than the Fury Carbon and 500g lighter than the current Fury Alloy. So if you are having a slow day it is probably not the bike.

SPEC

Key spec for 2015 GT Gravity models includes:

- 200mm dual crown downhill forks
- Powerful brakes w/ 203mm rotors
- Wide bars – 800mm
- Short stems – 30/50mm
- Continental 6-ply downhill tires
- 36T chainrings, 165mm cranks
- 27.5" wheels





FURY WORLD CUP

27.5
550B



SIZES	⇒ XS, S, M, L
COLORS (CODE)	☐ Black/Yellow
FRAME	∇ COR Downhill Design, 6069-T6 Alloy 27.5 Frame, 210mm Travel Independent Drivetrain® Suspension System w/Forged Linkage, Pivots, 1.5" Head Tube, and 12 x 150mm Thru Axle Dropouts
FORK	↑ Fox Racing Shox 40RC2 FIT 27.5 Kashima, 203mm Travel, FIT damper, 20x110mm Thru Axle, w/Adjustable High Speed/Low Speed Compression & Rebound
REAR SHOCK	⇄ Fox Racing Shox DHX RC4 Kashima, 9.5"x3", w/Adjustable High Speed/Low Speed Compression, Rebound, & Bottom-Out
CHAIN DEVICE	☉ e.thirteen LG1+ w/36T Bashguard, Alloy Boomerang
CRANKSET	☉ Shimano Saint, FC-M825, 165mm, w/36T Ring
BOTTOM BRACKET	⇄ Shimano Saint, 83mm
PEDALS	⇄ N/A
DERAILLEUR	↗ (F) N/A, (R) Shimano Saint Shadow Plus, RD-M820, Direct Mount
SHIFTERS	⊕ Shimano Saint, SL-M820, Rapid Fire, Right Side Only
REAR COGS	▸ Shimano CS-6700, 10-Speed, 11-25T
CHAIN	○ Shimano CN-HG95
RIMS	○ Stan's NoTubes Flow EX, 32H
TIRES	⊗ (F) Continental Der Kaiser Projekt, Six Ply Casing w/Black Chili Compound, 27.5"x2.4", (R) Continental Der Kaiser Projekt, Six Ply Casing w/Black Chili Compound, 27.5"x2.4"
HUBS	⇄ (F) Shimano Saint, HB-M820, Centerlock Disc, 20x110mm Thru Axle, (R) Shimano Saint, FH-M825, Centerlock Disc, 12x150mm Thru Axle

SPOKES	* DT Swiss Competition, 2.0/1.8 Stainless
NIPPLES	* DT Swiss Brass
BRAKES	↗ (F) Shimano Saint, BR-M820, w/Metallic Pad, Fins, & SM-RT99 Centerlock 203mm IceTech Rotor, (R) Shimano Saint, BR-M820, w/Metallic Pad, Fins, & SM-RT99 Centerlock 203mm IceTech Rotor
BRAKE LEVERS	↖ Shimano Saint, BL-M820
HANDLEBARS	~ Pro Atherton DH riser, 800mm Width, 15mm Rise, 31.8mm Clamp
STEM	⇄ RaceFace Atlas Direct Mount, 30/50mm Length
GRIPS	↗ Pro Atherton Lock-on Grip
HEADSET	⊗ FSA Orbit Z 1.5R, 1.5" to 1-1/8" Reducer, Alloy Cups w/ Sealed Bearings
SADDLE	⇄ Pro Atherton Saddle w/Titanium Rails
SEAT POST	↓ Pro Atherton Post
SEAT CLAMP	☉ All Terra Alloy Bolt-on



27.5
550B



SIZES	⇒ XS, S, M, L
COLORS (CODE)	☐ Black/Blue/Copper
FRAME	▽ COR Downhill Design, 6069-T6 Alloy 27.5 Frame, 210mm Travel Independent Drivetrain® Suspension System w/Forged Linkage, Pivots, 1.5" Head Tube, and 12 x 150mm Thru Axle Dropouts
FORK	↑ Fox Racing Shox 40RC2 FIT 27.5, 203mm Travel, FIT damper, 20x110mm Thru Axle, w/Adjustable High Speed/Low Speed Compression & Rebound
REAR SHOCK	⊞ Fox Racing Shox DHX RC2, 9.5"x3", w/ Adjustable Rebound & Compression
CHAIN DEVICE	☉ e.thirteen LG1+ w/36T Bashguard, Alloy Boomerang
CRANKSET	⊗ Shimano Zee, FC-M645, 165mm, w/36T Ring
BOTTOM BRACKET	⊞ Shimano Zee, 83mm
PEDALS	⊞ N/A
DERAILLEUR	↗ (F) N/A, (R) Shimano Saint Shadow Plus, RD-M820, Direct Mount
SHIFTERS	⊕ Shimano Zee, SL-M640, Rapid Fire, Right Side Only
REAR COGS	▸ Shimano CS-5700, 10-Speed, 11-28T
CHAIN	○ KMC X10
RIMS	○ Stan's NoTubes Flow EX, 32H
TIRES	⊗ (F) Continental Der Kaiser Projekt, Six Ply Casing w/Black Chili Compound, 27.5"x2.4", (R) Continental Der Kaiser Projekt, Six Ply Casing w/Black Chili Compound, 27.5"x2.4"
HUBS	⇄ (F) Shimano Zee, HB-M640, Centerlock Disc, 20x110mm Thru Axle, (R) Shimano Zee, FH-M645, Centerlock Disc, 12x150mm Thru Axle

SPOKES	* DT Swiss Competition, 2.0/1.8 Stainless
NIPPLES	* DT Swiss Brass
BRAKES	↻ (F) Shimano Zee, BR-M640, w/Metallic Pad, Fins, & SM-RT99 Centerlock 203mm IceTech Rotor, (R) Shimano Zee, BR-M640, w/Metallic Pad, Fins, & SM-RT99 Centerlock 203mm IceTech Rotor
BRAKE LEVERS	↵ Shimano Zee, BL-M640
HANDLEBARS	~ RaceFace Atlas, 785mm Width, 1/2" Rise, 31.8mm Clamp
STEM	⊞ RaceFace Atlas Direct Mount, 30/50mm Length
GRIPS	☞ GT Statement Double Lock-on Grips
HEADSET	⊗ FSA Orbit Z 1.5R, 1.5" to 1-1/8" Reducer, Alloy Cups w/ Sealed Bearings
SADDLE	▷ WTB Silverado Race SL
SEAT POST	↑ RaceFace Chester
SEAT CLAMP	⊙ All Terra Alloy Bolt-on



FURY EXPERT

27.5
SUB



SIZES	⇒ XS, S, M, L
COLORS (CODE)	☐ Gun Gloss/Slimlime
FRAME	▧ COR Downhill Design, 6069-T6 Alloy 27.5 Frame, 210mm Travel Independent Drivetrain® Suspension System w/ Forged Linkage, Pivots, 1.5" Head Tube, and 12 x 150mm Thru Axle Dropouts
FORK	↑ RockShox Boxxer RC 27.5" Dual Crown, 200mm Travel, w/ Adjustable Rebound & 20x110mm Thru Axle
REAR SHOCK	▢ Fox Racing Shox Van RC, 9.5"x3", w/ Adjustable Rebound & Compression
CHAIN DEVICE	☞ e.thirteen LG1 w/36T Bashguard, Steel Boomerang
CRANKSET	☉ RaceFace Chester, 165mm, w/36T Ring
BOTTOM BRACKET	☐ RaceFace X-Type, 83mm
PEDALS	▢ N/A
DERAILLEUR	↗ (F) N/A, (R) Shimano Zee Shadow Plus, RD-M640, Direct Mount
SHIFTERS	⊕ Shimano Zee, SL-M640, Rapid Fire, Right Side Only
REAR COGS	▸ Shimano CS-4600, 10-Speed, 11-28T
CHAIN	○ KMC X10
RIMS	○ Jalco HD570, 32H
TIRES	⊗ (F) Continental Der Kaiser Projekt, Six Ply Casing w/Black Chili Compound, 27.5"x2.4", (R) Continental Der Kaiser Projekt, Six Ply Casing w/Black Chili Compound, 27.5"x2.4"
HUBS	⇄ (F) All Terra Tall Flanged Alloy Sealed Bearing Centerlock Disc, 20x110mm Thru Axle, (R) All Terra Tall Flanged Alloy Sealed Bearing Centerlock Disc, 12x150mm Thru Axle

SPOKES	* DT Swiss Champion, 1.8 Stainless
NIPPLES	* DT Swiss Brass
BRAKES	↻ (F) Shimano Zee, BR-M640, w/Metallic Pad, Fins, & SM-RT99 Centerlock 203mm IceTech Rotor, (R) Shimano Zee, BR-M640, w/Metallic Pad, Fins, & SM-RT99 Centerlock 203mm IceTech Rotor
BRAKE LEVERS	↵ Shimano Zee, BL-M640
HANDLEBARS	~ Kore Torsion, 2014 Double Butted, 800mm Width, 20mm Rise, 31.8mm Clamp
STEM	▢ Kore Torsion Direct Mount, AL6061-T6 CNC, 30mm Length
GRIPS	☞ GT Statement Double Lock-on Grips
HEADSET	⊗ FSA Orbit Z 1.5R, 1.5" to 1-1/8" Reducer, Alloy Cups w/Sealed Bearings
SADDLE	▷ WTB Silverado Race SL
SEAT POST	↑ RaceFace Chester
SEAT CLAMP	☉ All Terra Alloy Bolt-on



ENDURO

A long day in the saddle doesn't always mean a training ride. For Enduro riders, it means testing the limits and pushing your own boundaries to see just how hard you can go. With bikes built for stability and control in the descents and the kind of geometry that gets you pedaling quicker than the competition, GT's Sanction is sure to keep you going all day and then some.

ENDURO PHILOSOPHY

Enduro racing has taken the mountain bike world by storm. For these varying endurance gravity events, the GT Enduro Rider needs a special bike that has the handling of a small DH bike with the pedaling capabilities of an all-mountain bike. All that matters is the time from crossing the start line to the finish, knowing that he still has to pedal to the next stage.

FIT

Enduro is all about control and GT makes sure to give you the cockpit and geometry that is needed to stay cool even when the terra firma and other riders are trying to take you down. Wide bars, Short Stem, great Riding position, and Enduro specific Spec will have you guessing if you can be the new Enduro World Champion.

TUNE

Dan Atherton and Martin Maes have proven that the Sanction can win the biggest Enduro's in the world, so now it is your chance to find out what it can do for you. With the proven ID suspension design you will have a very efficient, reliable, and fast bike that will get rid you of your fear and excuses. Well maybe not but at least you will have fun trying!

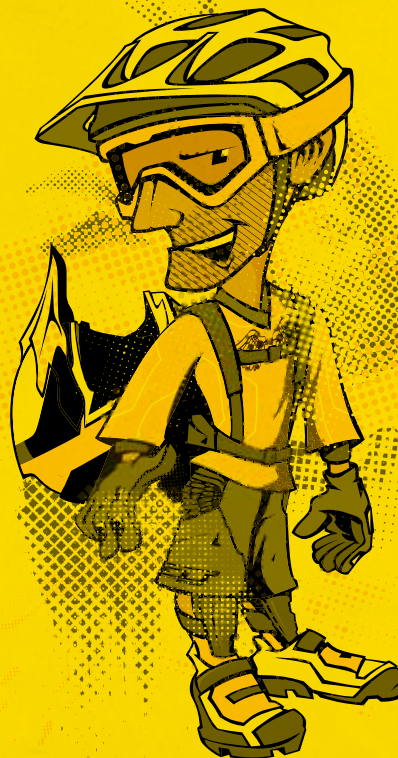
FUNCTION

With 165mm travel on the front and rear, Enduro specific geometry, Enduro race specific part spec and a suspension system that will

SPEC

Key spec for 2015 GT Enduro models includes:

- 165mm travel frame with ID Suspension
- 160mm Forks
- Narrow-Wide Chainrings
- Continental Protection tires
- 800mm Handlebars
- 35mm stems





SANCTION PRO

27.5
SUB



SIZES	⇒ S, M, L, XL
COLORS (CODE)	☐ Matte Black
FRAME	✓ COR Enduro Design, 6069-T6 Alloy 27.5 Frame, 165mm Travel Independent Drivetrain® Suspension System w/ Forged Linkage, Pivots, 1.5" Head Tube, and 12x142mm Thru Axle Dropouts
FORK	↑ Fox Racing Shox 36 Float 27.5 160 RC2 FIT, 160mm Travel, FIT Damper, 15x100mm Thru Axle, w/ Adjustable Rebound & Compression, Lockout, & Tapered 1.5" → 1 1/8" Alloy Steerer
REAR SHOCK	⇄ Fox Racing Shox Float X CTD Remote Kashima, 8.5"x2.5" Air Shock, w/ Rebound & Remote Lockout
CHAIN DEVICE	☉ e.thirteen LG1+, w/36T Bashguard
CRANKSET	☉ RaceFace Turbine, 32T Narrow Wide
BOTTOM BRACKET	⇄ RaceFace X-Type
PEDALS	☐ N/A
DERAILLEUR	↗ (F) N/A, (R) Shimano Deore XT Shadow Plus, Direct Mount, RD-M786-GS-D
SHIFTERS	⊕ Shimano Deore XT, SL-M780, Rapid Fire, Right Side Only
REAR COGS	↗ Shimano Deore XT, CS-M771-10, 10-Speed, 11-36T
CHAIN	○ KMC X10
RIMS	○ Mavic EN423, 27.5", 32H
TIRES	⊞ (F) Continental Trail King ProTecton 27.5"x2.4", Folding Bead, (R) Continental Trail King ProTecton 27.5"x2.4", Folding Bead
HUBS	⇄ (F) DT Swiss 240S, Centerlock, 15x100mm Thru Axle, (R) DT Swiss 240S, Centerlock, 12x142mm Thru Axle

SPOKES	* DT Competition, 2.0/1.8 Stainless, Black
NIPPLES	* DT Alloy
BRAKES	↗ (F) Shimano Deore XT, BR-M785 w/ Metallic Pads & Fins, 203mm SM-RT99 Centerlock Ice Tech Rotor, (R) Shimano Deore XT, BR-M785 w/ Metallic Pads & Fins, 180mm SM-RT99 Centerlock Ice Tech Rotor
BRAKE LEVERS	☐ Shimano Deore XT, BL-M785
HANDLEBARS	~ RaceFace Atlas 35, 800mm Width, 10mm Rise, 35mm Clamp
STEM	⇄ RaceFace Atlas 35, 35mm Clamp, 35mm Length
GRIPS	☞ GT Statement Double Lock-on Grips
HEADSET	☉ FSA Orbit 1.5ZS SC
SADDLE	▷ WTB Silverado Race SL, Cromoly Rail
SEAT POST	↑ KS LEV, 31.6mm
SEAT CLAMP	☉ All Terra Alloy QR, 34.9mm



SANCTION EXPERT

27.5
SUBALL NEW
FOR MY15

SIZES	⇒ S, M, L, XL
COLORS (CODE)	☐ Gloss White
FRAME	▣ COR Enduro Design, 6069-T6 Alloy 27.5 Frame, 165mm Travel Independent Drivetrain® Suspension System w/Forged Linkage, Pivots, 1.5" Head Tube, and 12x142mm Thru Axle Dropouts
FORK	↑ Marzocchi 350 R, 160mm Travel, 15mm QR dropout, Coil Spring w/Air Assist, Tapered Alloy Steerer
REAR SHOCK	▣ Fox Racing Shox Float X CTD Adjust, 8.5"x2.5" Air Shock, w/Rebound & Compression Adjust
CHAIN DEVICE	☉ e.thirteen LG1, w/ 36T Bashguard
CRANKSET	☉ RaceFace Ride, 32T Narrow Wide
BOTTOM BRACKET	▣ RaceFace X-Type
PEDALS	▣ N/A
DERAILLEUR	↗ (F) N/A, (R) Shimano SLX Shadow Plus, Direct Mount, RD-M675-GS-D
SHIFTERS	⊕ Shimano SLX, SL-M670, Rapid Fire, Right Side Only
REAR COGS	▴ Shimano Deore XT, CS-M771-10, 10-Speed, 11-36T
CHAIN	○ KMC X10
RIMS	○ Mavic EN323, 27.5", 32H
TIRES	⋯ (F) Continental Trail King 27.5"x2.4", Folding Bead, (R) Continental Trail King 27.5"x2.4", Folding Bead
HUBS	⇄ (F) All Terra High Flange Alloy Centerlock Disc, Sealed Bearing, 15x100mm Thru Axle, (R) All Terra High Flange Alloy Cassette Centerlock Disc, Sealed Bearing, 12x142mm Thru Axle

SPOKES	* 14/15G Stainless
NIPPLES	* Brass
BRAKES	↻ (F) Shimano Deore, BR-M615, w/Metallic Pads, 203mm SM-RT64 Centerlock Rotor, (R) Shimano Deore, BR-M615, w/Metallic Pads, 180mm SM-RT64 Centerlock Rotor
BRAKE LEVERS	↵ Shimano Deore, BL-M615
HANDLEBARS	~ Kore Torsion, 20mm Rise, 800mm Width
STEM	▣ Kore Repute, 35mm Length
GRIPS	☞ GT Statement Double Lock-on Grips
HEADSET	⊗ FSA Orbit 1.5ZS SC
SADDLE	▷ WTB Silverado
SEAT POST	↓ All Terra 2-bolt, 31.6x350mm
SEAT CLAMP	⊙ All Terra Alloy QR, 34.9mm



ALL MOUNTAIN

Versatility is the name of the game with GT's All-mountain lineup. The Force is purpose-built to take you anywhere and everywhere you want to go on your bike. Our Angle Optimized Suspension system is designed get the most pedaling efficiency on the way up and, when paired with the 27.5" wheels, rolls over obstacles better than the Grave Digger at a monster truck rally.

ALL MOUNTAIN PHILOSOPHY

Steep climbs, high alpine singletrack, gnarly descents, and the possibility of having to put your bike on your back is what the GT All-Mountain Rider lives for. He needs the most versatile -- and the most fun -- mountain bike.

FIT

With a short stem, wide bars, and a long front center you will have the control that you need to have your bike be called All Mountain. Get ready to ride a bike that can get you there and back and then some.

TUNE

In developing the AOS Suspension System, GT engineer's have been able to focus on more than one major characteristic of a suspension bike due to our i-drive patents. By controlling the wheel path, the angle of attack, pedaling efficiency, and suspension feedback, you will feel a ride that smooths out the terrain, is responsive, stable, pedals extremely well, and will have the wheel path of a DH bike.

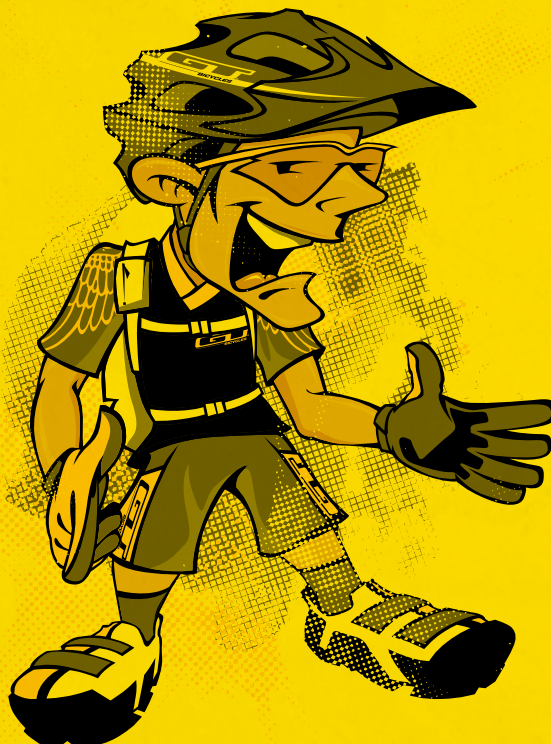
FUNCTION

With 160mm travel on both the front and the rear with a bad ass geometry and you have a bike that is very capable, but it also has a lot to do with the Shimano 2x10 drivetrain, the 180mm disc rotors, and premium suspension that give the bike the ability to ride a super wide range of trails.

SPEC

Key spec for 2015 GT All-Mountain models includes:

- 160mm forks w/ 34mm stanchions
- Powerful brakes w/ 180mm rotors
- Wide bars – 760mm
- Short stems – 60mm
- Dropper posts
- Continental tires
- Clutch RDs
- 2 X 10 Shimano drivetrains w booster cogs





FORCE X CARBON PRO

27.5
SUB



SIZES	⇒ S, M, L, XL
COLORS (CODE)	☐ Gloss White/Raw
FRAME	▧ COR All Mountain Philosophy, FOC Ultra Carbon Frame, 150mm Travel 27.5 AOS Independent Drivetrain® Suspension System w/Forged Linkage, Pivots, 1 1/8" to 1 1/2" Integrated Head Tube, and 12 x 142mm Maxle Dropouts
FORK	↑ RockShox Pike RCT3, 160mm Travel, 15mm Maxle, w/ Lockout & Rebound Adjust, Tapered Alloy Steerer
REAR SHOCK	⇄ Fox Racing Shox Float X CTD w/Adjust Kashima, 7.5"x2" Air Shock, w/Rebound & Compression Adjust
CHAIN DEVICE	☉ e.thirteen XCX, High Direct Mount
CRANKSET	☉ RaceFace Turbine Basic, 32T Narrow Wide
BOTTOM BRACKET	⇄ RaceFace X-Type
PEDALS	☐ N/A
DERAILLEUR	↗ (F) N/A, (R) Shimano Deore XT Shadow Plus, Direct Mount, RD-M786-GS-D
SHIFTERS	⊕ Shimano Deore XT, SL-M780, Rapid Fire
REAR COGS	▸ Shimano Deore XT, CS-M771-10, 10-Speed, 11-36T
CHAIN	○ KMC X10
RIMS	○ e.thirteen TRS+ 27.5, Scandium
TIRES	≡ (F) Continental Mountain King ProTecton 27.5"x2.4", Folding Bead, (R) Continental Mountain King ProTecton 27.5"x2.4", Folding Bead
HUBS	⇄ (F) e.thirteen TRS+ 27.5, Centerlock Wheelset, 15x100mm Thru Axle, (R) e.thirteen TRS+ 27.5, Centerlock Wheelset, 12x142mm Thru Axle

SPOKES	* e.thirteen
NIPPLES	* e.thirteen
BRAKES	↻ (F) Shimano Deore XT, BR-M785 w/Metallic Pads & Fins, 203mm SM-RT99 Centerlock IceTech Rotor, (R) Shimano Deore XT, BR-M785 w/Metallic Pads & Fins, 180mm SM-RT99 Centerlock IceTech Rotor
BRAKE LEVERS	↵ Shimano Deore XT, BL-M785
HANDLEBARS	~ RaceFace Atlas, 785mm Width, 1/2" Rise, 31.8mm Clamp
STEM	⇄ RaceFace Atlas, 31.8mm Clamp, 50mm Length
GRIPS	☞ GT Statement Double Lock-on Grips
HEADSET	☉ Orbit C-40-ACB
SADDLE	▷ WTB Silverado Race SL, Cromoly Rail
SEAT POST	↑ RockShox Reverb Stealth, 34.9mm
SEAT CLAMP	☉ All Terra Alloy Bolt-on, 38.1mm



FORCE X CARBON EXPERT

27.5
SUB



SIZES	⇒ S, M, L, XL
COLORS (CODE)	☐ Blue/Lime/Raw
FRAME	∇ COR All Mountain Philosophy, FOC Ultra Carbon Frame, 150mm Travel 27.5 AOS Independent Drivetrain® Suspension System w/Forged Linkage, Pivots, 1 1/8" to 1 1/2" Integrated Head Tube, and 12 x 142mm Maxle Dropouts
FORK	↑ Fox Racing Shox 34 Float 27.5 160 CTD FIT, 160mm Travel, FIT Damper, 15x100mm Thru Axle, w/ Adjustable Rebound & Compression, Lockout, & Tapered 1.5"-> 1-1/8" Alloy Steerer
REAR SHOCK	⇐ Fox Racing Shox Float X CTD Adjust, 7.5"x2" Air Shock, w/Rebound & Compression Adjust
CHAIN DEVICE	☉ e.thirteen XCX+ HDM
CRANKSET	☉ RaceFace Evolve, 32T Narrow Wide
BOTTOM BRACKET	⇐ RaceFace X-Type
PEDALS	☐ N/A
DERAILLEUR	↗ (F) N/A, (R) Shimano SLX Shadow Plus, Direct Mount, RD-M675-GS-D
SHIFTERS	⊕ Shimano SLX, SL-M670, Rapid Fire, Right Side Only
REAR COGS	↗ Shimano Deore XT, CS-M771-10, 10-Speed, 11-36T
CHAIN	☉ KMC X10
RIMS	○ WTB ST i23 TCS 27.5, 32H
TIRES	⊞ (F) Continental Mountain King 27.5"x2.4", Folding Bead, (R) Continental Mountain King 27.5"x2.4", Folding Bead
HUBS	⇔ (F) All Terra High Flange Alloy Centerlock Disc, Sealed Bearing, 15x100mm Thru Axle, (R) All Terra High Flange Alloy Cassette Centerlock Disc, Sealed Bearing, 12x142mm Thru Axle

SPOKES	* DT Swiss Industry Stainless
NIPPLES	* DT Swiss Brass
BRAKES	↗ (F) Shimano Deore, BR-M615, w/Metallic Pads, 203mm SM-RT64 Centerlock Rotor, (R) Shimano Deore, BR-M615, w/Metallic Pads, 180mm SM-RT64 Centerlock Rotor
BRAKE LEVERS	↖ Shimano Deore, BL-M615
HANDLEBARS	~ RaceFace Respond, 1/2" Rise, 785mm Width
STEM	⇐ RaceFace Respond, 45mm Length
GRIPS	☞ GT Statement Double Lock-on Grips
HEADSET	☉ Orbit C-40-ACB
SADDLE	▷ WTB Silverado
SEAT POST	↓ KS LEV Integra, 34.9mm, w/Remote
SEAT CLAMP	☉ All Terra Alloy Bolt-on, 38.1mm



MOUNTAIN » ALL MOUNTAIN

FORCE X EXPERT

27.5
SUB



SIZES	⇒ S, M, L, XL
COLORS (CODE)	☐ Black/Orange
FRAME	▧ COR All Mountain Philosophy, 6069 Hydroformed Aluminum Frame, 150mm Travel Independent Drivetrain® 27.5 AOS Suspension System w/Forged Linkage, Pivots, 1 1/8"-1 1/2" Integrated Head Tube, and 12 x 142mm Maxle Dropouts
FORK	↑ Fox 34 FLOAT 27.5 CTD O/C, 160mm Travel, 15QR, w/ Open Cartridge Damper, Lockout & Rebound Adjust, Tapered Alloy Steerer
REAR SHOCK	⇄ Fox Racing Shox Float CTD Adjust BV, 7.5"x2.0" Air Shock, w/ Rebound Adjust & Lockout
CHAIN DEVICE	☉ e.thirteen XCX+ HDM
CRANKSET	☉ RaceFace Evolve, 32T Narrow Wide
BOTTOM BRACKET	⇄ RaceFace
PEDALS	⇄ N/A
DERAILLEUR	↗ (F) N/A, (R) Shimano Deore XT Shadow Plus, Direct Mount, RD-M786-D, GS Cage
SHIFTERS	⊕ Shimano SLX, SL-M670, Rapid Fire, Right Side Only
REAR COGS	▸ Shimano Deore XT, CS-M771-10, 10-Speed, 11-36T
CHAIN	○ KMC X10
RIMS	○ WTB STi23, UST Tubeless, 32H
TIRES	⋯ (F) Continental Mountain King 27.5"x2.4", Folding Bead, (R) Continental Mountain King 27.5"x2.4", Folding Bead
HUBS	⇄ (F) All Terra High Flange Alloy Centerlock Disc, Sealed Bearing, 15x100mm Thru Axle, (R) All Terra High Flange Alloy Cassette Centerlock Disc, Sealed Bearing, 12x142mm Thru Axle

SPOKES	* DT Competition, 1.8/1.6 Stainless, Black
NIPPLES	* DT Swiss Brass
BRAKES	↻ (F) Shimano SLX, BR-M675, w/Metallic Pads & Fins, 203mm SM-RT68 Centerlock IceTech Rotor, (R) Shimano SLX, BR-M675, w/Metallic Pads & Fins, 180mm SM-RT68 Centerlock IceTech Rotor
BRAKE LEVERS	☞ Shimano SLX, BL-M675
HANDLEBARS	~ RaceFace Respond, 1/2" Rise, 785mm Width
STEM	⇄ RaceFace Respond, 45mm Length
GRIPS	☞ GT Statement Double Lock-on Grips
HEADSET	☉ Orbit C-40-ACB
SADDLE	▷ WTB Silverado Race SL, Cromoly Rail
SEAT POST	↓ KS LEV Integra, 34.9mm w/Remote
SEAT CLAMP	☉ All Terra Alloy QR, 38.1mm



MOUNTAIN » ALL MOUNTAIN

FORCE X SPORT

27.5
550B



SIZES	⇒ S, M, L, XL
COLORS (CODE)	☐ Blue/White
FRAME	∇ COR All Mountain Philosophy, 6069 Hydroformed Aluminum Frame, 150mm Travel Independent Drivetrain® 27.5 AOS Suspension System w/ Forged Linkage, Pivots, 1 1/8"-1 1/2" Integrated Head Tube, and 12 x 142mm Maxle Dropouts
FORK	↑ Marzocchi 350 R, 160mm Travel, 15mm QR dropout, Coil Spring w/ Air Assist, Tapered Alloy Steerer
REAR SHOCK	☐ Fox Racing Shox Float CTD, 7.5"x2.0" Air Shock, w/ Rebound Adjust & Lockout
CHAIN DEVICE	☐ N/A
CRANKSET	☐ RaceFace Ride, 36/22T w/ Bashguard
BOTTOM BRACKET	☐ RaceFace
PEDALS	☐ N/A
DERAILLEUR	↗ (F) Shimano Deore, FD-M616-D, (R) Shimano Deore Shadow Plus, Direct Mount, RD-M615-D, GS Cage
SHIFTERS	⊕ Shimano Deore, SL-M610, Rapid Fire
REAR COGS	▶ Shimano CS-HG50-10, 10-Speed, 11-36T
CHAIN	○ KMC X10
RIMS	○ Jalco DD28, 32H
TIRES	⋯ (F) Continental Mountain King 27.5"x2.4", (R) Continental Mountain King 27.5"x2.4"
HUBS	⇄ (F) All Terra High Flange Alloy Centerlock Disc, Sealed Bearing, 15x100mm Thru Axle, (R) All Terra High Flange Alloy Cassette Centerlock Disc, Sealed Bearing, 12x142mm Thru Axle

SPOKES	* 14/15G Stainless, Black
NIPPLES	* Brass
BRAKES	↗ (F) Shimano Deore, BR-M615, w/ Metallic Pads, 203mm SM-RT64 Centerlock Rotor, (R) Shimano Deore, BR-M615, w/ Metallic Pads, 180mm SM-RT64 Centerlock Rotor
BRAKE LEVERS	↖ Shimano Deore, BL-M615
HANDLEBARS	~ Kore Torsion 6061, 20mm Rise, 785mm Width
STEM	☐ Kore Repute, 50mm Length
GRIPS	☞ GT Statement Double Lock-on Grips
HEADSET	⊗ Orbit C-40-ACB
SADDLE	▷ WTB Silverado
SEAT POST	↓ All Terra 2-bolt, 34.9x400mm
SEAT CLAMP	⊙ All Terra Alloy QR, 38.1mm



TRAIL

For you, a good ride is one where you earned every second of that downhill run by cranking hard the whole way up. You don't want the luxury of a lift, you want to sweat. With a responsive and lively pedaling system to get you up and more travel than a traditional cross country bike to make the downhill smooth sailing, GT's Trail lineup has exactly the bike you need to dominate your local trails.

TRAIL PHILOSOPHY

The GT Trail Rider is out ripping singletrack – and occasionally testing his racing skills while partying his way through a 24-hour race. GT Trail Bikes offer uncompromising ability to climb or descend at will, so GT's Trail Rider needs a crisp and efficient pedaling platform with a little more travel than the GT Cross-Country Rider, to create a smile while ripping downhill.

FIT

Long front center! What the hell does that mean? You like to ride up hill fast but you still want to ride a short stem. Those two typically don't go together until you look at the new trail range. With a short stem, wide bars, and a longer front center you will have all the control you need on descents but without sacrificing climbing ability.

FUNCTION

With a range of travel to suit your desired trails and 180mm disc rotors, and premium suspension that gives the bike the ability to rip on your favorite trails.

TUNE

In developing the AOS Suspension System, GT engineer's have been able to focus on more than one major characteristic of a suspension bike due to our i-drive patents. By controlling the wheel path, the angle of attack, pedaling efficiency, and suspension feedback, you will feel a ride that smooths out the terrain, is responsive, stable, pedals extremely well, and will have the wheel path of a DH bike.

SPEC

Key spec for 2015 GT Trail models includes:

- Lightweight brakes w/ 180mm rotors
- Wide bars – 740mm
- Mid length stems – 80mm
- Dropper posts
- Most models with tubeless wheels & tires
- Clutch RDs





SENSOR CARBON TEAM

27.5
E503



SIZES	⇒ S, M, L, XL
COLORS (CODE)	☐ Gloss Yellow/Raw
FRAME	∇ COR Trail Philosophy, FOC Ultra Carbon Frame, 130mm Travel Independent Drivetrain® 27.5 AOS Suspension System w/Forged Linkage, Pivots, 1 1/8"-1 1/2" Integrated Head Tube, and 1 2 x 142mm Maxle Dropouts
FORK	↑ Fox 34 FLOAT 27.5 CTD FIT w/Adjust Kashima, 150mm Travel, 15QR, w/FTT Damper, Lockout & Rebound Adjust, Tapered Alloy Steerer
REAR SHOCK	⇄ Fox Racing Shox Float CTD Remote BV w/Adjust Kashima, 7.25"x1.75" Air Shock, w/Rebound Adjust & Remote Lockout
CHAIN DEVICE	☉ (F) e.thirteen XCX+ High Direct Mount
CRANKSET	☉ RaceFace Next SL Carbon, 32T, Narrow Wide
BOTTOM BRACKET	⇄ RaceFace
PEDALS	☐ N/A
DERAILLEUR	↗ (R) Shimano XTR Shadow Plus, Direct Mount, RD-M9000
SHIFTERS	⊕ Shimano XTR, SL-M9000, Rapid Fire, Right Side Only
REAR COGS	↗ Shimano XTR, CS-M9000, 11-Speed, 11-40T
CHAIN	○ Shimano CN-HG90011, 11-speed
RIMS	○ e.thirteen TRS+ 27.5, Scandium
TIRES	≡ (F) Continental Mountain King 27.5x2.4", Folding, (R) Continental X-King 27.5x2.4", Folding
HUBS	⇄ (F) e.thirteen TRS+ 27.5, Centerlock Wheelset, 15x100mm Thru Axle, (R) e.thirteen TRS+ 27.5, Centerlock Wheelset, 12x142mm Thru Axle

SPOKES	* e.thirteen
NIPPLES	* e.thirteen
BRAKES	↗ (F) Shimano XTR, BR-M9020 w/Metallic Pads & Fins, 180mm SM-RT99 Centerlock IceTech Rotor (R) Shimano XTR, BR-M9020 w/Metallic Pads & Fins, 180mm SM-RT99 Centerlock IceTech Rotor
BRAKE LEVERS	↗ Shimano XTR, BL-M9020
HANDLEBARS	~ RaceFace Next 35, 760mm Width, 10mm Rise
STEM	⇄ RaceFace Turbine 35, 1 1/8" Threadless, 0° Rise, 35mm Clamp, 60mm
GRIPS	☞ GT Statement Single Lock-on Grips
HEADSET	☉ Orbit C-40-ACB
SADDLE	▷ WTB Silverado Team, Nicro Rail
SEAT POST	↑ RockShox Reverb Stealth, 34.9mm
SEAT CLAMP	☉ All Terra Alloy QR, 38.1mm



SENSOR CARBON PRO

27.5
SUB



SIZES	⇒ S, M, L, XL
COLORS (CODE)	☐ Matte Blue/Raw
FRAME	▧ COR Trail Philosophy, FOC Ultra Carbon Frame, 130mm Travel Independent Drivetrain® 27.5 AOS Suspension System w/ Forged Linkage, Pivots, 1 1/8"-1 1/2" Integrated Head Tube, and 12 x 142mm Maxle Dropouts
FORK	↑ Fox 34 FLOAT 27.5 CTD FIT w/Adjust, 150mm Travel, 15QR, w/ FIT Damper, Lockout & Rebound Adjust, Tapered Alloy Steerer
REAR SHOCK	☐ Fox Racing Shox Float CTD BV w/Adjust, 7.25"x1.75" Air Shock, w/Rebound Adjust & Lockout
CHAIN DEVICE	☉ (F) e.thirteen XCX+ High Direct Mount
CRANKSET	☉ RaceFace Turbine Basic, 32T Narrow Wide
BOTTOM BRACKET	☐ RaceFace
PEDALS	☐ N/A
DERAILLEUR	↗ (R) Shimano Deore XT Shadow Plus, Direct Mount, RD-M786-D, GS Cage
SHIFTERS	⊕ Shimano Deore XT, SL-M780, Rapid Fire, Right Side Only
REAR COGS	▸ Shimano Deore XT, CS-M771-10, 10-Speed, 11-36T
CHAIN	○ KMC X10
RIMS	○ e.thirteen TRS+ 27.5, Scandium
TIRES	▧ (F) Continental Mountain King 27.5x2.4", Folding, (R) Continental X-King 27.5x2.4", Folding
HUBS	⇄ (F) e.thirteen TRS+ 27.5, Centerlock Wheelset, 15x100mm Thru Axle, (R) e.thirteen TRS+ 27.5, Centerlock Wheelset, 12x142mm Thru Axle

SPOKES	* e.thirteen
NIPPLES	* e.thirteen
BRAKES	↻ (F) Shimano Deore XT, BR-M785 w/Metallic Pads & Fins, 180mm SM-RT81 Centerlock IceTech Rotor, (R) Shimano Deore XT, BR-M785 w/Metallic Pads & Fins, 180mm SM-RT81 Centerlock IceTech Rotor
BRAKE LEVERS	↵ Shimano Deore XT, BL-M785
HANDLEBARS	~ RaceFace Turbine 35, 760mm Width, 10mm Rise
STEM	☐ RaceFace Turbine 35, 1 1/8" Threadless, 0° Rise, 35mm Clamp, 60mm
GRIPS	☞ GT Statement Single Lock-on Grips
HEADSET	☉ Orbit C-40-ACB
SADDLE	▷ WTB Silverado Race SL, Cromoly Rail
SEAT POST	↓ RockShox Reverb Stealth, 34.9mm
SEAT CLAMP	☉ All Terra Alloy QR, 38.1mm



SENSOR CARBON EXPERT

27.5
550B



SIZES	⇒ S, M, L, XL
COLORS (CODE)	☐ Gloss Grey/Black
FRAME	▧ COR Trail Philosophy, FOC Ultra Carbon Frame, 130mm Travel Independent Drivetrain® 27.5 AOS Suspension System w/Forged Linkage, Pivots, 1 1/8"-1 1/2" Integrated Head Tube, and 12 x 142mm Maxle Dropouts
FORK	↑ RockShox Revelation RL 27.5 Solo Air, 150mm Travel, 15x100mm Maxle, w/Lockout & Rebound Adjust, Tapered Alloy Steerer
REAR SHOCK	☐ Fox Racing Shox Float CTD BV, 7.25"x1.75" Air Shock, w/Rebound Adjust & Lockout
CHAIN DEVICE	☉ N/A
CRANKSET	☉ Shimano SLX, FC-M675, 38/24T, 2x10
BOTTOM BRACKET	☐ Shimano
PEDALS	☐ N/A
DERAILLEUR	↗ (F) Shimano SLX, FD-M676-D, (R) Shimano Deore XT Shadow Plus, Direct Mount, RD-M786-D, GS Cage
SHIFTERS	⊕ Shimano SLX, SL-M670, Rapid Fire
REAR COGS	▸ Shimano CS-HG81-10, 10-Speed, 11-36T
CHAIN	○ KMC X10
RIMS	○ WTB STi23, UST Tubeless, 32H
TIRES	⋯ (F) Continental Mountain King 27.5x2.4", Folding (R) Continental X-King 27.5x2.4", Folding
HUBS	⇄ (F) All Terra High Flange Alloy Disc, Sealed Bearing, 15x100mm Thru Axle, (R) All Terra High Flange Alloy Cassette Disc, Sealed Bearing, 12x142mm Thru Axle

SPOKES	* DT Competition, 1.8/1.6 Stainless, Black
NIPPLES	* Brass
BRAKES	↗ (F) Shimano SLX, BR-M675 Hydraulic, w/Metallic Pad & Fin & RT-68 180mm Centerlock Rotor, (R) Shimano SLX, BR-M675 Hydraulic, w/Metallic Pad & Fin & RT-68 180mm Centerlock Rotor
BRAKE LEVERS	☑ Shimano SLX, BL-M675
HANDLEBARS	~ RaceFace Ride, Low Rise, 740mm Width
STEM	☐ RaceFace Ride, 1-1/8" Threadless, 6° Rise, 31.8mm Clamp, 70mm
GRIPS	☞ GT Statement Single Lock-on Grips
HEADSET	☉ Orbit C-40-ACB
SADDLE	▷ WTB Silverado Race SL, Cromoly Rail
SEAT POST	↓ KS LEV Integra, 34.9mm, w/Remote
SEAT CLAMP	☉ All Terra Alloy QR, 38.1mm

**SENSOR PRO****27.5**
SUB

SIZES	⇒ XS, S, M, L, XL
COLORS (CODE)	☒ Black/Blue
FRAME	☑ COR Trail Philosophy, 6069 Hydroformed Aluminum Frame, 130mm Travel Independent Drivetrain® 27.5 AOS Suspension System w/Forged Linkage, Pivots, 1 1/8"-1 1/2" Integrated Head Tube, and 12 x 142mm Maxle Dropouts
FORK	↑ Fox 32 FLOAT 27.5 CTD FIT, 130mm Travel, 15QR, w/FIT Damper, Lockout & Rebound Adjust, Tapered Alloy Steerer
REAR SHOCK	☒ Fox Racing Shox Float CTD BV Adjust, 7.25"x1.75" Air Shock, w/ Rebound Adjust & Lockout
CHAIN DEVICE	☒ N/A
CRANKSET	☒ Shimano SLX, FC-M675, 38/24T, 2x10
BOTTOM BRACKET	☒ Shimano
PEDALS	☒ N/A
DERAILLEUR	☒ (F) Shimano SLX, FD-M676-D, (R) Shimano Deore XT Shadow Plus, Direct Mount, RD-M786-D, GS Cage
SHIFTERS	☒ Shimano SLX, SL-M670, Rapid Fire
REAR COGS	☒ Shimano CS-HG81-10, 10-Speed, 11-36T
CHAIN	☒ KMC X10
RIMS	☒ WTB STi23, UST Tubeless, 32H
TIRES	☒ (F) Continental X-King 27.5x2.4", Folding, (R) Continental X-King 27.5x2.4", Folding
HUBS	☒ (F) All Terra High Flange Alloy Centerlock Disc, Sealed Bearing, 15x100mm Thru Axle, (R) All Terra High Flange Alloy Cassette Centerlock Disc, Sealed Bearing, 12x142mm Thru Axle

SPOKES	* DT Competition, 1.8/1.6 Stainless, Black
NIPPLES	* Brass
BRAKES	☒ (F) Shimano Deore XT, BR-M785 Hydraulic, w/Metallic Pad & Fin & RT-81 180mm Centerlock IceTech Rotor, (R) Shimano Deore XT, BR-M785 Hydraulic, w/Metallic Pad & Fin & RT-81 180mm Centerlock IceTech Rotor
BRAKE LEVERS	☒ Shimano Deore XT, BL-M785
HANDLEBARS	☒ RaceFace Ride, Low Rise, 740mm Width
STEM	☒ RaceFace Ride, 1 1/8" Threadless, 6° Rise, 31.8mm Clamp, 80mm
GRIPS	☒ GT Statement Single Lock-on Grips
HEADSET	☒ Orbit C-40-ACB
SADDLE	☒ WTB Silverado Race SL, Cromoly Rail
SEAT POST	↑ RockShox Reverb Stealth, 34.9mm
SEAT CLAMP	☒ All Terra Alloy QR, 38.1mm



SENSOR EXPERT

27.5
SUB



SIZES	☰ XS, S, M, L, XL
COLORS (CODE)	☒ Blue/White
FRAME	☒ COR Trail Philosophy, 6069 Hydroformed Aluminum Frame, 130mm Travel Independent Drivetrain® 27.5 AOS Suspension System w/Forged Linkage, Pivots, 1 1/8"-1 1/2" Integrated Head Tube, and 12 x 142mm Maxle Dropouts
FORK	↑ RockShox Revelation RL 27.5 Solo Air, 130mm Travel, 15x100mm Maxle, w/Lockout & Rebound Adjust, Tapered Alloy Steerer
REAR SHOCK	☒ Fox Racing Shox Float CTD BV, 7.25"x1.75" Air Shock, w/ Rebound Adjust & Lockout
CHAIN DEVICE	☒ N/A
CRANKSET	☒ Shimano FC-M625, 38/24T, 2x10
BOTTOM BRACKET	☒ Shimano
PEDALS	☒ N/A
DERAILLEUR	☒ (F) Shimano Deore, FD-M616-D, (R) Shimano Deore XT Shadow Plus, Direct Mount, RD-M786-D, GS Cage
SHIFTERS	☒ Shimano SLX, SL-M670, Rapid Fire
REAR COGS	☒ Shimano CS-HG81-10, 10-Speed, 11-36T
CHAIN	☒ KMC X10
RIMS	☒ WTB STi23, UST Tubeless, 32H
TIRES	☒ (F) Continental X-King 27.5x2.4", Folding ☒ (R) Continental X-King 27.5x2.4", Folding
HUBS	☒ (F) All Terra High Flange Alloy Centerlock Disc, Sealed Bearing, 15x100mm Thru Axle, (R) All Terra High Flange Alloy Cassette Centerlock Disc, Sealed Bearing, 12x142mm Thru Axle

SPOKES	* DT Industry, 2.0 Stainless, Black
NIPPLES	* Brass
BRAKES	☒ (F) Shimano Deore, BR-M615 Hydraulic, w/Metallic Pad & 180mm Centerlock Rotor, (R) Shimano Deore, BR-M615 Hydraulic, w/Metallic Pad & 180mm Centerlock Rotor
BRAKE LEVERS	☒ Shimano Deore, BL-M615
HANDLEBARS	☒ Kore Durox AL6061 DB, 740mm
STEM	☒ RaceFace Ride, 1 1/8" Threadless, 6° Rise, 31.8mm Clamp, 80mm
GRIPS	☒ GT Statement Single Lock-on Grips
HEADSET	☒ Orbit C-40-ACB
SADDLE	☒ WTB Silverado
SEAT POST	☒ All Terra 2-bolt, 34.9x400mm
SEAT CLAMP	☒ All Terra Alloy QR, 38.1mm



SENSOR ELITE

27.5
SUB



SIZES	⇒ XS, S, M, L, XL
COLORS (CODE)	☐ Gray/Black
FRAME	✓ COR Trail Philosophy, 6069 Hydroformed Aluminum Frame, 130mm Travel Independent Drivetrain® 27.5 AOS Suspension System w/Forged Linkage, Pivots, 1 1/8" - 1 1/2" Integrated Head Tube, and 135mm QR Dropouts
FORK	↑ RockShox Sektor Silver TK 27.5 Solo Air, 130mm Travel, 15x100mm Maxle, w/Lockout & Rebound Adjust, Tapered Alloy Steerer
REAR SHOCK	⇄ Fox Racing Shox Float CTD, 7.25"x1.75" Air Shock, w/Rebound Adjust & Lockout
CHAIN DEVICE	☉ N/A
CRANKSET	⊗ Shimano Deore, FC-M612, 40/30/22T, 3x10
BOTTOM BRACKET	⇄ Shimano
PEDALS	⊕ N/A
DERAILLEUR	↗ (F) Shimano Deore, FD-M611-D, (R) Shimano Deore Shadow Plus, Direct Mount, RD-M615-D
SHIFTERS	⊕ Shimano Deore, SL-M610, Rapid Fire
REAR COGS	↗ Shimano CS-HG50-10, 11-36T, 10-speed
CHAIN	○ KMC X10
RIMS	○ Alex DP21, Double Wall 32H
TIRES	⊗ (F) Continental X-King 27.5x2.4", Folding (R) Continental X-King 27.5x2.4", Folding
HUBS	⇄ (F) All Terra Tall Flange Alloy Centerlock Disc, Sealed Bearing, 15x100mm Thru Axle, (R) All Terra Alloy Cassette Centerlock Disc, w/QR

SPOKES	* 14/15G Stainless, Black
NIPPLES	* Brass
BRAKES	↗ (F) Shimano BR-M447 Hydraulic, w/180mm Centerlock Rotor; (R) Shimano BR-M447 Hydraulic, w/180mm Centerlock Rotor
BRAKE LEVERS	☑ Shimano BR-M445
HANDLEBARS	~ Kore XCD-R1, AL6061 DB, 740mm
STEM	⇄ Kore XCD1, 1 1/8" Threadless, 6° Rise, 31.8mm Clamp, 80mm
GRIPS	☞ GT Statement Single Lock-on Grips
HEADSET	☉ Orbit C-40-ACB
SADDLE	⇄ WTB Silverado
SEAT POST	↑ All Terra 2-bolt, 34.9x400mm
SEAT CLAMP	☉ All Terra Alloy QR, 38.1mm



SENSOR COMP

27.5
SUB



SIZES	⇒ XS, S, M, L, XL
COLORS (CODE)	☐ Gray/White
FRAME	✓ COR Trail Philosophy, 6069 Hydroformed Aluminum Frame, 130mm Travel Independent Drivetrain® 27.5 AOS Suspension System w/ Forged Linkage, Pivots, 1 1/8" - 1 1/2" Integrated Head Tube, and 135mm QR Dropouts
FORK	↑ X-Fusion Velvet, 130mm Travel, 15x100mm QR Axle, w/Lockout & Rebound Adjust, Tapered Alloy Steerer
REAR SHOCK	☐ X-Fusion 02 RL, 7.25"x1.75" Air Shock, w/Rebound Adjust & Lockout
CHAIN DEVICE	☐ N/A
CRANKSET	☐ FSA Gamma Drive MegaExo MTB, 44/32/22T, 3x10
BOTTOM BRACKET	☐ Shimano
PEDALS	☐ N/A
DERAILLEUR	☐ (F) SRAM X5, HDM, (R) SRAM X5, Long Cage
SHIFTERS	☐ SRAM X5 Trigger
REAR COGS	☐ SRAM PG1020, 11-36T, 10-speed
CHAIN	☐ KMC X10
RIMS	☐ Alex DP21, Double Wall 32H
TIRES	☐ (F) WTB BeeLine 27.5x2.2", (R) WTB BeeLine 27.5x2.2"
HUBS	☐ (F) All Terra Tall Flange Alloy Centerlock Disc, Sealed Bearing, 15x100mm Thru Axle, (R) All Terra Alloy Cassette Centerlock Disc, w/QR

SPOKES	* 14/15G Stainless, Black
NIPPLES	* Brass
BRAKES	☐ (F) Shimano BR-M396 Hydraulic, w/180mm Centerlock Rotor; (R) Shimano BR-M396 Hydraulic, w/180mm Centerlock Rotor
BRAKE LEVERS	☐ Shimano BR-M396
HANDLEBARS	☐ All Terra AL6061 DB, 740mm
STEM	☐ All Terra, 1 1/8" Threadless, 6° Rise, 31.8mm Clamp, 80mm
GRIPS	☐ GT Statement Single Lock-on Grips
HEADSET	☐ Orbit C-40-ACB
SADDLE	☐ All Terra Colorado
SEAT POST	☐ All Terra 2-bolt, 34.9x400mm
SEAT CLAMP	☐ All Terra Alloy QR, 38.1mm



KARAKORAM EXPERT



SIZES	≡ S, M, L, XL
COLORS (CODE)	☐ Gloss Black
FRAME	▽ 29" Hydroformed & Butted Speed Metal™ Aluminum (TT/DT) Frame, w/ Triple Triangle™, Replaceable Derailleur Hanger, Disc Brake Mounts, and Zerostack 1 1/8" Head Tube
FORK	↑ Rock Shox XC32 TK Coil 29" w/100mm Travel, w/Turn Key Lockout, QR Droupout, Coil Spring, Disc Only Lower, W/1.125" Alloy Steerer, w/Remote Poplock Lockout
REAR SHOCK	⊞ N/A
CHAIN DEVICE	☞ N/A
CRANKSET	⊕ Shimano Deore, FC-M610, 42/32/24T
BOTTOM BRACKET	⇔ Shimano included in FC
PEDALS	⊞ N/A
DERAILLEUR	↗ (R) Shimano Deore, FD-M610, (R) Shimano Deore XT Shadow Plus, RD-M786
SHIFTERS	⊕ Shimano Deore SL-M610
REAR COGS	≡ Shimano CS-HG50-10, 11-36T, 10-Speed
CHAIN	○ KMC X10
RIMS	○ Jalco JD200, Double Wall, 32H
TIRES	⊗ (F) Continental Race King 29X2.20", (R) Continental Race King 29X2.00"
HUBS	⇔ (F) All Terra Alloy Disc, w/Quick Release, Center Lock (R) All Terra Alloy Cassette Disc, w/Quick Release, Center Lock

SPOKES	* 14G Stainless
NIPPLES	* Brass
BRAKES	☒ Shimano BR-M396, Hydraulic Disc, w/160mm Rotor SM-RT30 F/R
BRAKE LEVERS	☒ Shimano Hydraulic Disc Brake Lever
HANDLEBARS	~ All Terra Riser, Butted, 710mm Width, 15mm Rise, 31.8mm Clamp
STEM	☒ All Terra 1 1/8" Threadless, 3D Forged, 4-Bolt w/CNC Face Plate, 6° Rise, 31.8mm Clamp
GRIPS	☒ GT Statement
HEADSET	☒ Kore 1B-1 1/8" Threadless, Zerostack
SADDLE	☒ All Terra Colorado
SEAT POST	↓ All Terra Alloy Micro-Adjust, 30.9mm
SEAT CLAMP	☒ All Terra Alloy QR



MOUNTAIN » TRAIL » HARDTAIL

KARAKORAM ELITE



SIZES	☐ S, M, L, XL
COLORS (CODE)	☐ Matte Gunmetal, Gloss White
FRAME	☒ 29" Hydroformed & Butted Speed Metal™ Aluminum (TT/DT) Frame, w/ Triple Triangle™, Replaceable Derailleur Hanger, Disc Brake Mounts, and Zerostack 1 1/8" Head Tube
FORK	☒ SR Suntour XCR 32 RL DS w/100mm Travel, 29", Magnesium Lower, 32mm Cr-mo Steel Uppers, w/Post Mount Disc Brake, w/Remote Lockout, w/Rebound Adjust
REAR SHOCK	☐ N/A
CHAIN DEVICE	☐ N/A
CRANKSET	☐ FSA CK-725STT, 42/32/24T
BOTTOM BRACKET	☐ Tange Sealed
PEDALS	☐ GT Slim Line Flat Pedal, Cast Alloy
DERAILLEUR	☒ (R) Shimano Deore FD-M610 (R) Shimano Deore Shadow, RD-M610-SGS
SHIFTERS	☐ Shimano Deore, SL-M610
REAR COGS	☒ Shimano CS-HG50-10, 11-36T, 10-Speed
CHAIN	☐ KMC X10
RIMS	☐ Jalco JD200, Double Wall, 32H
TIRES	☒ Continental Race King 29X2.20" F/R
HUBS	☒ (F) All Terra Alloy Disc, w/Quick Release, Center Lock, (R) All Terra Alloy Disc, w/Quick Release, Center Lock

SPOKES	☒ 14G Stainless
NIPPLES	☒ Brass
BRAKES	☒ Shimano BR-M355, Hydraulic Disc, w/160mm Rotor SM-RT30 F/R
BRAKE LEVERS	☒ Shimano Hydraulic Disc Brake Lever
HANDLEBARS	☒ All Terra Riser, Butted, 710mm Width, 15mm Rise, 31.8mm Clamp
STEM	☒ All Terra 1 1/8" Threadless, 3D Forged, 4-Bolt w/CNC Face Plate, 6° Rise, 31.8mm Clamp
GRIPS	☒ GT Statement
HEADSET	☒ Kore 1B-1 1/8" Threadless, Zerostack
SADDLE	☒ All Terra Colorado
SEAT POST	☒ All Terra Alloy Micro-Adjust, 30.9mm
SEAT CLAMP	☒ All Terra Alloy QR





MOUNTAIN » TRAIL » HARDTAIL

KARAKORAM COMP



SIZES	⇒ S, M, L, XL
COLORS (CODE)	☐ Gloss White, Gloss Black
FRAME	▧ 29" Hydroformed 6061 T6™ Aluminum Frame, w/Triple Triangle™, Replaceable Derailleur Hanger, Disc Brake Mounts, and Zerostack 1 1/8" Head Tube
FORK	↑ SR Suntour XCM-HLO w/100mm Travel, 29", Steel Stanchions, Aluminum Leg, Post Mount Disc Brake, Hydraulic Lockout, QR
REAR SHOCK	⊞ N/A
CHAIN DEVICE	☞ N/A
CRANKSET	⊕ SR Suntour XCM-T414, 44/32/22T
BOTTOM BRACKET	⊞ Tange Sealed
PEDALS	⊞ GT Slim Line Flat Pedal
DERAILLEUR	↗ (R) Shimano Acera, FD-M390 (R) Shimano, Deore, RD-M592-SGS
SHIFTERS	⊕ Shimano Alivio, SL-M4000
REAR COGS	▸ Sunrace CS-M98, 11-36T, 9-Speed Cassette
CHAIN	○ KMC Z99
RIMS	○ Alex MD19, Double Wall, 32H
TIRES	⊞ Continental Race King 29X2.20" F/R
HUBS	⊞ (F) All Terra Alloy Disc, w/Quick Release, (R) All Terra Alloy Cassette Disc, w/Quick Release
SPOKES	* 14G Stainless

NIPPLES	* Brass
BRAKES	☒ Promax Decipher Hydraulic Disc, w/160mm Rotor F/R
BRAKE LEVERS	☒ Promax Decipher Hydraulic
HANDLEBARS	~ All Terra 6061 Aluminum Flat Top Riser, 690mm Width, 15mm Rise, 31.8mm Clamp
STEM	⊞ All Terra 1 1/8" Threadless, 3D Forged, 4-Bolt w/CNC Face Plate, 10° Rise, 31.8mm Clamp
GRIPS	☒ GT Statement
HEADSET	☒ Kore 1B-1 1 1/8" Threadless, Zerostack
SADDLE	▷ All Terra Colorado
SEAT POST	↑ All Terra Alloy Micro-Adjust, 30.9mm
SEAT CLAMP	☒ All Terra Alloy QR





MOUNTAIN » TRAIL » HARDTAIL

KARAKORAM SPORT



SIZES	⇒ S, M, L, XL
COLORS (CODE)	☐ Gloss Black, Gloss White
FRAME	▽ 29" Hydroformed 6061 T6™ Aluminum Frame, w/Triple Triangle™, Replaceable Derailleur Hanger, Disc Brake Mounts, and Zerostack 1 1/8" Head Tube
FORK	↑ SR Suntour XCT-HLO w/100mm Travel, 29", Steel Stanchions, Aluminum Leg, Post Mount Disc Brake, Mechanical Lockout, QR
REAR SHOCK	⊞ N/A
CHAIN DEVICE	☪ N/A
CRANKSET	⊖ SR Suntour XCM-T414, 44/32/22T
BOTTOM BRACKET	⇨ Tange Sealed
PEDALS	⊞ GT Slim Line Flat Pedal
DERAILLEUR	↗ (R) Shimano Altus FD-M370 (R) Shimano, Alivio, RD-M430
SHIFTERS	⊕ Shimano SL-M370, Rapid Fire
REAR COGS	▸ Sunrace CS-M90, 11-34T, 9-Speed Cassette
CHAIN	○ KMC Z99
RIMS	○ Alex MD19, Double Wall, 32H
TIRES	⊞ All Terrain, 29X2.1" F/R
HUBS	⇨ (F) All Terra Alloy, w/Quick Release, (R) All Terra Alloy Cassette, w/Quick Release

SPOKES	* 14G Stainless
NIPPLES	* Brass
BRAKES	☒ Promax Decipher Hydraulic Disc, w/160mm Rotor F/R
BRAKE LEVERS	☑ Promax Decipher Hydraulic
HANDLEBARS	~ All Terra 6061 Aluminum Riser, 685mm Width, 30mm Rise, 31.8mm Clamp
STEM	⊞ All Terra 1 1/8" Threadless, 3D Forged, 4-Bolt w/CNC Face Plate, 10° Rise, 31.8mm Clamp
GRIPS	☞ GT Statement
HEADSET	⊞ Kore 1B-1 1 1/8" Threadless, Zerostack
SADDLE	▷ All Terra Colorado
SEAT POST	↓ All Terra Alloy Micro-Adjust, 30.9mm
SEAT CLAMP	○ All Terra Alloy QR





MOUNTAIN » TRAIL » HARDTAIL

AVALANCHE EXPERT

27.5
SUB



SIZES	☐ XS, S, M, L, XL
COLORS (CODE)	☐ Gloss Black
FRAME	☑ NEW Hydroformed & Butted Speed Metal™ Aluminum (TT/DT) Frame, w/ Triple Triangle™, Replaceable Derailleur Hanger, Disc Brake Mounts, and Zerostack 1 1/8" Head Tube, 27.5 Design
FORK	☑ Rock Shox XC32 TK Coil 27.5" w/100mm Travel, w/Turn Key Lockout, QR Dropout, Coil Spring, Disc Only Lower, W/1.125" Alloy Steerer, w/Remote Poplock Lockout
REAR SHOCK	☐ N/A
CHAIN DEVICE	☐ N/A
CRANKSET	☐ Shimano Deore, FC-M610, 42/32/24T
BOTTOM BRACKET	☐ Shimano included in FC
PEDALS	☐ N/A
DERAILLEUR	☑ (R) Shimano Deore, FD-M610, (R) Shimano Deore XT Shadow Plus, RD-M786
SHIFTERS	☑ Shimano Deore SL-M610
REAR COGS	☑ Shimano CS-HG50-10, 11-36T, 10-Speed
CHAIN	☐ KMC X10
RIMS	☐ Jalco JD200, Double Wall, 32H
TIRES	☑ Continental Race King 27.5X2.20" F/R
HUBS	☑ (F) All Terra Alloy Disc, w/Quick Release, Center Lock, (R) All Terra Alloy Cassette Disc, w/Quick Release, Center Lock

SPOKES	☑ 14G Stainless
NIPPLES	☑ Brass
BRAKES	☑ Shimano BR-M355, Hydraulic Disc, w/160mm Rotor SM-RT30 F/R
BRAKE LEVERS	☑ Shimano Hydraulic Disc Brake Lever
HANDLEBARS	☑ All Terra Riser, Butted, 710mm Width, 15mm Rise, 31.8mm Clamp
STEM	☑ All Terra 1 1/8" Threadless, 3D Forged, 4-Bolt w/CNC Face Plate, 6° Rise, 31.8mm Clamp
GRIPS	☑ GT Statement
HEADSET	☑ Kore 1B-1 1/8" Threadless, Zerostack
SADDLE	☑ All Terra Colorado
SEAT POST	☑ All Terra Alloy Micro-Adjust, 30.9mm
SEAT CLAMP	☑ All Terra Alloy QR



MOUNTAIN » TRAIL » HARDTAIL

AVALANCHE ELITE

27.5
5503



SIZES	☰ XS, S, M, L, XL
COLORS (CODE)	☒ Gloss White, Matte Gunmetal
FRAME	☒ NEW Hydroformed & Butted Speed Metal™ Aluminum (TT/DT) Frame, w/ Triple Triangle™, Replaceable Derailleur Hanger, Disc Brake Mounts, and Zerostack 1 1/8" Head Tube, 27.5 Design
FORK	☒ SR Suntour XCR 32 RL DS w/100mm Travel, Magnesium Lowers, 32mm Cr-mo Steel Uppers, w/Post Mount Disc Brake, w/Remote Lockout, w/Rebound Adjust, For 27.5
REAR SHOCK	☒ N/A
CHAIN DEVICE	☒ N/A
CRANKSET	☒ FSA CK-725STI, 42/32/24T
BOTTOM BRACKET	☒ Tange Sealed
PEDALS	☒ GT Slim Line Flat Pedal, Cast Alloy
DERAILLEUR	☒ (R) Shimano Deore FD-M610, (R) Shimano Deore Shadow, RD-M610-SGS
SHIFTERS	☒ Shimano Deore SL-M610
REAR COGS	☒ Shimano CS-HG50-10, 11-36T, 10-Speed
CHAIN	☒ KMC X10
RIMS	☒ Jalco JD200, Double Wall, 32H
TIRES	☒ Continental Race King 27.5X2.20" F/R
HUBS	☒ (F) All Terra Alloy Disc, w/Quick Release, Center Lock, (R) All Terra Alloy Cassette Disc, w/Quick Release, Center Lock

SPOKES	☒ 14G Stainless
NIPPLES	☒ Brass
BRAKES	☒ Shimano BR-M355, Hydraulic Disc, w/160mm Rotor SM-RT30 F/R
BRAKE LEVERS	☒ Shimano Hydraulic Disc Brake Lever
HANDLEBARS	☒ All Terra Riser, Butted, 710mm Width, 15mm Rise, 31.8mm Clamp
STEM	☒ All Terra 1 1/8" Threadless, 3D Forged, 4-Bolt w/CNC Face Plate, 6° Rise, 31.8mm Clamp
GRIPS	☒ GT Statement
HEADSET	☒ Kore 1B-1 1/8" Threadless, Zerostack
SADDLE	☒ All Terra Colorado
SEAT POST	☒ All Terra Alloy Micro-Adjust, 30.9mm
SEAT CLAMP	☒ All Terra Alloy QR





MOUNTAIN » TRAIL » HARDTAIL

AVALANCHE COMP

27.5
SUB



SIZES	☐ XS, S, M, L, XL
COLORS (CODE)	☐ Gloss Black, Gloss White
FRAME	☑ NEW Hydroformed 6061 T6 Aluminum Frame, w/ Triple Triangle™, Replaceable Deraillieur Hanger, Disc Brake Mounts, and Zerostack 1 1/8" Head Tube, 27.5 Design
FORK	☑ SR Suntour XCM-HLO w/100mm Travel, Steel Stanchions, Aluminum Leg, Post Mount Disc Brake, Hydraulic Lockout, QR, For 27.5
REAR SHOCK	☐ N/A
CHAIN DEVICE	☐ N/A
CRANKSET	☐ SR Suntour XCM-T414, 44/32/22T
BOTTOM BRACKET	☐ Tange Sealed
PEDALS	☐ GT Slim Line Flat Pedal
DERAILLEUR	☐ (R) Shimano Acera, FD-M390, (R) Shimano, Deore, RD-M592-SGS
SHIFTERS	☐ Shimano Alivio, SL-M4000
REAR COGS	☐ Sunrace CS-M98, 11-36T, 9-Speed Cassette
CHAIN	☐ KMC Z99
RIMS	☐ Alex MD17, Double Wall, 32H
TIRES	☐ Continental Race King 27.5X2.20" F/R
HUBS	☐ (F) All Terra Alloy Disc, w/Quick Release, (R) All Terra Alloy Cassette Disc, w/Quick Release
SPOKES	☐ 14G Stainless
NIPPLES	☐ Brass
BRAKES	☐ Promax Decipher Hydraulic Disc, w/160mm Rotor F/R

BRAKE LEVERS	☐ Promax Decipher Hydraulic
HANDLEBARS	☐ All Terra 6061 Aluminum Riser, 685mm Width, 30mm Rise, 31.8mm Clamp
STEM	☐ All Terra 1 1/8" Threadless, 4-Bolt w/CNC Face Plate, 10° Rise, 31.8mm Clamp
GRIPS	☐ GT Statement
HEADSET	☐ Kore 1B-1 1/8" Threadless, Zerostack
SADDLE	☐ All Terra Colorado
SEAT POST	☐ All Terra Alloy Micro-Adjust, 30.9mm
SEAT CLAMP	☐ All Terra Alloy QR





MOUNTAIN » TRAIL » HARDTAIL

AVALANCHE SPORT

27.5
5503



SIZES	☰ XS, S, M, L, XL
COLORS (CODE)	☒ Gloss White, Gloss Black
FRAME	☒ NEW Hydroformed 6061 T6 Aluminum Frame, w/ Triple Triangle™, Replaceable Deraillieur Hanger, Disc Brake Mounts, and Zerostack 1 1/8" Head Tube, 27.5 Design
FORK	☒ SR Suntour XCT-HLO w/ 100mm Travel, Steel Stanchions, Aluminum Leg, Post Mount Disc Brake, Preload Adjust, Mechanical Lockout, QR, For 27.5
REAR SHOCK	☒ N/A
CHAIN DEVICE	☒ N/A
CRANKSET	☒ SR Suntour XCM-T414, 44/32/22T
BOTTOM BRACKET	☒ Tange Sealed
PEDALS	☒ GT Slim Line Flat Pedal
DERAILLEUR	☒ (R) Shimano Altus FD-M370, (R) Shimano, Alivio, RD-M430
SHIFTERS	☒ Shimano SL-M370, Rapid Fire
REAR COGS	☒ Sunrace CS-M90, 11-34T, 9-Speed Cassette
CHAIN	☒ KMC Z99
RIMS	☒ Alex MD17, Double Wall, 32H
TIRES	☒ All Terrain, 27.5X2.10" F/R
HUBS	☒ (F) All Terra Alloy, W/ Quick Release (R) All Terra Alloy Cassette, w/Quick Release

SPOKES	☒ 14G Stainless
NIPPLES	☒ Brass
BRAKES	☒ Promax Decipher Hydraulic Disc, w/160mm Rotor F/R
BRAKE LEVERS	☒ Promax Decipher Hydraulic
HANDLEBARS	☒ All Terra 6061 Aluminum Riser, 685mm Width, 30mm Rise, 31.8mm Clamp
STEM	☒ All Terra 1 1/8" Threadless, 4-Bolt w/CNC Face Plate, 10° Rise, 31.8mm Clamp
GRIPS	☒ GT Statement
HEADSET	☒ Kore 1B-1 1/8" Threadless, Zerostack
SADDLE	☒ All Terra Colorado
SEAT POST	☒ All Terra Alloy Micro-Adjust, 30.9mm
SEAT CLAMP	☒ All Terra Alloy QR





CROSS COUNTRY

Remember when riding your bike was about seeing the world from two wheels? When you set out on a ride for the sole purpose of having fun? It's time to get back to your roots and remember what riding cross country is all about. GT's 2015 XC line has got your back: lightweight, fast, and ultra-stable, these bikes are just as ready for a day-long mud fest with your buddies as they are for your first weekend of racing.

XC PHILOSOPHY

The GT XC Rider wants more than just a race bike. He wants a bike built for good times on the mountain. Whether it's a day long pedalfest with buddies, or a weekend of cross country competition, he's about charging it and not tradition.

FIT

You like to ride up hill fast but you still want to ride a short stem. Those two typically don't go together until you look at the new Helion range. With a short stem, wide bars, and a longer front center you will have all the control you need on descents but without sacrificing climbing ability.

TUNE

Ultra efficient pedaling platform and a light weight frame are designed to make sure that you the rider will have the best time possible if you are competing vs. the clock, friends, or *that app?*

FUNCTION

110mm travel in the rear gives you a bike that can take the biggest hits that a XC bike is designed to take. It will be ultra efficient both climbing and descending thanks to the AOS suspension system.

SPEC

Key spec for 2015 GT XC models includes:

- 110mm travel AOS Suspension system
- 110mm travel forks
- Tubeless rims on most models
- 740mm wide handlebars
- 80mm stems





HELION CARBON TEAM

275
550BALL NEW
FOR MY15

SIZES	⇒ S, M, L, XL
COLORS (CODE)	☐ Matte Raw/Yellow
FRAME	▧ COR XC Philosophy, FOC Ultra Carbon Frame, 110mm Travel Independent Drivetrain® 27.5 AOS Suspension System w/ Forged Linkage, Pivots, 1 1/8"-1 1/2" Integrated Head Tube, and 12 x 142mm Maxle Dropouts
FORK	↑ Fox 32 FLOAT 27.5 CTD FIT w/ Adjust Kashima, 110mm Travel, 15QR, w/ FIT Damper, Lockout & Rebound Adjust, Tapered Alloy Steerer
REAR SHOCK	⇄ Fox Racing Shox Float CTD Remote BV w/ Adjust Kashima, 6.5"x1.5" Air Shock, w/ Rebound Adjust & Remote Lockout
CHAIN DEVICE	☉ (F) e.thirteen XCX+ High Direct Mount,
CRANKSET	☉ RaceFace Next SL Carbon, 32T, Narrow Wide
BOTTOM BRACKET	⇄ RaceFace
PEDALS	☐ N/A
DERAILLEUR	↗ (R) Shimano XTR Shadow Plus, Direct Mount, RD-M9000
SHIFTERS	⊕ Shimano XTR, SL-M9000, Rapid Fire, Right Side Only
REAR COGS	▸ Shimano XTR, CS-M9000, 11-Speed, 11-40T
CHAIN	○ Shimano CN-HG90011, 11-speed
RIMS	○ Stan's NoTubes Crest, ZTR Tubeless, 32H
TIRES	≡ (F) Continental X-King 27.5x2.2", Folding, (R) Continental X-King 27.5x2.2", Folding
HUBS	⇄ (F) DT Swiss 240S, Centerlock, 15x100mm Thru Axle, (R) DT Swiss 240S, Centerlock, 12x142mm Thru Axle

SPOKES	* DT Competition, 1.8/1.6 Stainless, Black
NIPPLES	* DT Alloy
BRAKES	↻ (F) Shimano XTR, BR-M9000 w/ Metallic Pads, 180mm SM-RT99 Centerlock Ice Tech Rotor, (R) Shimano XTR, BR-M9000 w/ Metallic Pads, 180mm SM-RT99 Centerlock Ice Tech Rotor
BRAKE LEVERS	☒ Shimano XTR, BL-M9000
HANDLEBARS	~ RaceFace Next 35, 740mm Width, 10mm Rise
STEM	☒ RaceFace Turbine 35, 1 1/8" Threadless, 0° Rise, 35mm Clamp, 80mm
GRIPS	☞ GT Statement Single Lock-on Grips
HEADSET	☉ Orbit C-40-ACB
SADDLE	▷ fizik Tundra3, kium Rail
SEAT POST	↑ RaceFace Next, 31.6x375mm
SEAT CLAMP	☉ All Terra Alloy, 34.9mm



HELION CARBON PRO

275
550BALL NEW
FOR MY15

SIZES	⇒ S, M, L, XL
COLORS (CODE)	☐ Matte Black/Blue
FRAME	∇ COR XC Philosophy, FOC Ultra Carbon Frame, 110mm Travel Independent Drivetrain® 27.5 AOS Suspension System w/ Forged Linkage, Pivots, 1 1/8"-1 1/2" Integrated Head Tube, and 12 x 142mm Maxle Dropouts
FORK	↑ Fox 32 FLOAT 27.5 CTD Remote FIT, 110mm Travel, 15QR, w/FIT Damper, Remote Lockout & Rebound Adjust, Tapered Alloy Steerer
REAR SHOCK	☐ Fox Racing Shox Float CTD Remote BV, 6.5"x1.5" Air Shock, w/ Rebound Adjust & Remote Lockout
CHAIN DEVICE	☉ (F) e.thirteen XCX+ High Direct Mount,
CRANKSET	☉ RaceFace Turbine Basic, 32T Narrow Wide
BOTTOM BRACKET	☐ RaceFace
PEDALS	☐ N/A
DERAILLEUR	↗ (R) Shimano Deore XT Shadow Plus, Direct Mount, RD-M786-D, GS Cage
SHIFTERS	⊕ Shimano Deore XT, SL-M780, Rapid Fire, Right Side Only
REAR COGS	↗ Shimano Deore XT, CS-M771-10, 10-Speed, 11-36T
CHAIN	○ KMC X10
RIMS	○ Stan's NoTubes Crest, ZTR Tubeless, 32H
TIRES	⋯ (F) Continental X-King 27.5x2.2", Folding, (R) Continental X-King 27.5x2.2", Folding
HUBS	⇄ (F) DT Swiss 350, Centerlock, 15x100mm Thru Axle, (R) DT Swiss 350, Centerlock, 12x142mm Thru Axle

SPOKES	* DT Competition, 1.8/1.6 Stainless, Black
NIPPLES	* DT Alloy
BRAKES	↗ (F) Shimano Deore XT, BR-M785 w/Metallic Pad, 180mm SM-RT81 Centerlock Ice Tech Rotor; (R) Shimano Deore XT, BR-M785 w/Metallic Pad, 180mm SM-RT81 Centerlock Ice Tech Rotor
BRAKE LEVERS	☉ Shimano Deore XT, BL-M785
HANDLEBARS	~ RaceFace Turbine 35, 740mm Width, 10mm Rise
STEM	☐ RaceFace Turbine 35, 1 1/8" Threadless, 0° Rise, 35mm Clamp, 80mm
GRIPS	☉ GT Statement Single Lock-on Grips
HEADSET	☉ Orbit C-40-ACB
SADDLE	☐ fizik Tundra2, Manganese Rail
SEAT POST	↑ RaceFace Turbine, 31.6x375mm
SEAT CLAMP	☉ All Terra Alloy, 34.9mm



HELION CARBON EXPERT

27.5
550B

ALL NEW
FOR MY15



SIZES	⇒ S, M, L, XL
COLORS (CODE)	☐ Gloss White/Orange
FRAME	∇ COR XC Philosophy, FOC Ultra Carbon Frame, 110mm Travel Independent Drivetrain® 27.5 AOS Suspension System w/ Forged Linkage, Pivots, 1 1/8"-1 1/2" Integrated Head Tube, and 12 x 142mm Maxle Dropouts
FORK	↑ RockShox Reba RL 27.5 Solo Air, 110mm Travel, 15x100mm Maxle, w/ Remote Lockout & Rebound Adjust, Tapered Alloy Steerer
REAR SHOCK	⇄ Fox Racing Shox Float CTD Remote BV, 6.5"x1.5" Air Shock, w/ Rebound Adjust & Remote Lockout
CHAIN DEVICE	☐ N/A
CRANKSET	☐ Shimano SLX, FC-M675, 38/24T, 2x10
BOTTOM BRACKET	⇄ Shimano
PEDALS	☐ N/A
DERAILLEUR	↗ (F) Shimano SLX, FD-M676-D, (R) Shimano Deore XT Shadow Plus, Direct Mount, RD-M786-D, GS Cage
SHIFTERS	⊕ Shimano SLX, SL-M670, Rapid Fire
REAR COGS	↗ Shimano CS-HG81-10, 10-Speed, 11-36T
CHAIN	○ KMC X10
RIMS	○ Stan's NoTubes Rapid 25, Tubeless, 32H
TIRES	≡ (F) Continental X-King 27.5x2.2", Folding, (R) Continental X-King 27.5x2.2", Folding
HUBS	⇄ (F) All Terra High Flange Alloy Disc, Sealed Bearing, 15x100mm Thru Axle, (R) All Terra High Flange Alloy Cassette Disc, Sealed Bearing, 12x142mm Thru Axle

SPOKES	* DT Competition, 1.8/1.6 Stainless, Black
NIPPLES	* Brass
BRAKES	↗ (F) Shimano SLX, BR-M675 Hydraulic, w/Metallic Pad & RT-68 180mm Centerlock Rotor, (R) Shimano SLX, BR-M675 Hydraulic, w/Metallic Pad & RT-68 180mm Centerlock Rotor
BRAKE LEVERS	☐ Shimano SLX, BL-M675
HANDLEBARS	~ RaceFace Ride, Low Rise, 740mm Width
STEM	☐ RaceFace Ride, 1-1/8" Threadless, 6° Rise, 31.8mm Clamp, 80mm
GRIPS	☐ GT Statement Single Lock-on Grips
HEADSET	☐ Orbit C-40-ACB
SADDLE	☐ fizik Tundra2, Manganese Rail
SEAT POST	↑ RaceFace Ride, 31.6x375mm
SEAT CLAMP	☐ All Terra Alloy, 34.9mm



HELION PRO

27.5
550B

ALL NEW
FOR MY15



SIZES	⇒ XS, S, M, L, XL
COLORS (CODE)	☐ Gloss White
FRAME	▧ COR XC Philosophy, 6061-T6 Hydroformed Aluminum Frame, 130mm Travel Independent Drivetrain® 27.5 AOS Suspension System w/Forged Linkage, Pivots, 1 1/8"-1 1/2" Integrated Head Tube, and 12 x 142mm Maxle Dropouts
FORK	↑ Fox 32 FLOAT 27.5 CTD Remote FIT, 110mm Travel, 15QR, w/FIT Damper, Remote Lockout & Rebound Adjust, Tapered Alloy Steerer
REAR SHOCK	⇄ Fox Racing Shox Float CTD Remote BV, 6.5"x1.5" Air Shock, w/Rebound Adjust & Remote Lockout
CHAIN DEVICE	☉ (F) e.thirteen XCX+ High Direct Mount
CRANKSET	☉ RaceFace Evolve, 32T Narrow Wide
BOTTOM BRACKET	⇄ RaceFace
PEDALS	⇄ N/A
DERAILLEUR	↗ (R) Shimano Deore XT Shadow Plus, Direct Mount, RD-M786-D, GS Cage
SHIFTERS	⊕ Shimano Deore XT, SL-M780, Rapid Fire, Right Side Only
REAR COGS	▸ Shimano Deore XT, CS-M771-10, 10-Speed, 11-36T
CHAIN	○ KMC X10
RIMS	○ WTB STi23, UST Tubeless, 32H
TIRES	⋯ (F) Continental X-King 27.5x2.2", Folding, (R) Continental X-King 27.5x2.2", Folding
HUBS	⇄ (F) All Terra High Flange Alloy Centerlock Disc, Sealed Bearing, 15x100mm Thru Axle, (R) All Terra High Flange Alloy Cassette Centerlock Disc, Sealed Bearing, 12x142mm Thru Axle

SPOKES	✱ DT Competition, 1.8/1.6 Stainless, Black
NIPPLES	✱ Brass
BRAKES	☞ (F) Shimano Deore XT, BR-M785 Hydraulic, w/Metallic Pad & RT-81 180mm Centerlock IceTech Rotor, (R) Shimano Deore XT, BR-M785 Hydraulic, w/Metallic Pad & RT-81 180mm Centerlock IceTech Rotor
BRAKE LEVERS	☞ Shimano Deore XT, BL-M785
HANDLEBARS	~ RaceFace Ride, Low Rise, 740mm Width
STEM	☞ RaceFace Ride, 1 1/8" Threadless, 6° Rise, 31.8mm Clamp, 80mm
GRIPS	☞ GT Statement Single Lock-on Grips
HEADSET	☉ Orbit C-40-ACB
SADDLE	☞ fizik Tundra2, Manganese Rail
SEAT POST	↑ RaceFace Ride, 31.6x375mm
SEAT CLAMP	☉ All Terra Alloy, 34.9mm



HELION EXPERT

27.5
550BALL NEW
FOR MY15

SIZES	☰ XS, S, M, L, XL
COLORS (CODE)	☒ Matte Black
FRAME	☒ COR XC Philosophy, 6061-T6 Hydroformed Aluminum Frame, 130mm Travel Independent Drivetrain® 27.5 AOS Suspension System w/Forged Linkage, Pivots, 1 1/8"-1 1/2" Integrated Head Tube, and 12 x 142mm Maxle Dropouts
FORK	☒ Fox 32 FLOAT 27.5 CTD Remote O/C, 110mm Travel, 15QR, w/Open Cartridge Damper, Remote Lockout & Rebound Adjust, Tapered Alloy Steerer
REAR SHOCK	☒ Fox Racing Shox Float CTD Remote, 6.5"x1.5" Air Shock, w/ Rebound Adjust & Remote Lockout
CHAIN DEVICE	☒ N/A
CRANKSET	☒ Shimano SLX, FC-M675, 38/24T, 2x10
BOTTOM BRACKET	☒ Shimano
PEDALS	☒ N/A
DERAILLEUR	☒ (F) Shimano Deore, FD-M616-D, (R) Shimano Deore XT Shadow Plus, Direct Mount, RD-M786-D, GS Cage
SHIFTERS	☒ Shimano SLX, SL-M670, Rapid Fire
REAR COGS	☒ Shimano CS-HG81-10, 10-Speed, 11-36T
CHAIN	☒ KMC X10
RIMS	☒ WTB STi23, UST Tubeless, 32H
TIRES	☒ (F) Continental X-King 27.5x2.2", Folding, (R) Continental X-King 27.5x2.2", Folding
HUBS	☒ (F) All Terra High Flange Alloy Centerlock Disc, Sealed Bearing, 15x100mm Thru Axle, (R) All Terra High Flange Alloy Cassette Centerlock Disc, Sealed Bearing, 12x142mm Thru Axle

SPOKES	☒ DT Industry, 2.0 Stainless, Black
NIPPLES	☒ Brass
BRAKES	☒ (F) Shimano Deore, BR-M615 Hydraulic, w/Metallic Pad & 180mm Centerlock Rotor, (R) Shimano Deore, BR-M615 Hydraulic, w/Metallic Pad & 180mm Centerlock Rotor
BRAKE LEVERS	☒ Shimano Deore, BL-M615
HANDLEBARS	☒ RaceFace Ride, Low Rise, 740mm Width
STEM	☒ RaceFace Ride, 1 1/8" Threadless, 6° Rise, 31.8mm Clamp, 80mm
GRIPS	☒ GT Statement Single Lock-on Grips
HEADSET	☒ Orbit C-40-ACB
SADDLE	☒ WTB Silverado Race SL, Cromoly Rail
SEAT POST	☒ RaceFace Ride, 31.6x375mm
SEAT CLAMP	☒ All Terra Alloy QR, 34.9mm



MOUNTAIN » XC

HELION ELITE

27.5
SUB

ALL NEW
FOR MY15



SIZES	☰ XS, S, M, L, XL
COLORS (CODE)	☒ Gloss Navy
FRAME	☒ COR XC Philosophy, 6061-T6 Hydroformed Aluminum Frame, 130mm Travel Independent Drivetrain® 27.5 AOS Suspension System w/Forged Linkage, Pivots, 1 1/8"-1 1/2" Integrated Head Tube, and 12 x 142mm Maxle Dropouts
FORK	↑ RockShox XC32 TK 27.5 Solo Air, 110mm Travel, 15x100mm Maxle, w/ Remote Lockout & Rebound Adjust, Tapered Alloy Steerer
REAR SHOCK	☒ X-Fusion 02 RL, 6.5"x1.5" Air Shock, w/Rebound Adjust & Remote Lockout
CHAIN DEVICE	☒ N/A
CRANKSET	☒ Shimano Deore, FC-M615, 38/24T, 2x10
BOTTOM BRACKET	☒ Shimano
PEDALS	☒ N/A
DERAILLEUR	☒ (F) Shimano Deore, FD-M616-D, (R) Shimano SLX Shadow Plus, Direct Mount, RD-M675-D
SHIFTERS	☒ Shimano Deore, SL-M610, Rapid Fire
REAR COGS	☒ Shimano CS-HG50-10, 11-36T, 10-speed
CHAIN	☒ KMC X10
RIMS	☒ WTB STi23, UST Tubeless, 32H
TIRES	☒ (F) WTB BeeLine 27.5x2.2", (R) WTB BeeLine 27.5x2.2"
HUBS	☒ (F) All Terra Tall Flange Alloy Centerlock Disc, Sealed Bearing, 15x100mm Thru Axle, (R) All Terra Alloy Cassette Centerlock Disc, w/QR

SPOKES	* 14/15G Stainless, Black
NIPPLES	* Brass
BRAKES	☒ (F) Shimano BR-M447 Hydraulic, w/180mm Centerlock Rotor; (R) Shimano BR-M447 Hydraulic, w/180mm Centerlock Rotor
BRAKE LEVERS	☒ Shimano BL-M506
HANDLEBARS	☒ All Terra AL6061 DB, 740mm
STEM	☒ All Terra, 1 1/8" Threadless, 6° Rise, 31.8mm Clamp, 80mm
GRIPS	☒ GT Statement Single Lock-on Grips
HEADSET	☒ Orbit C-40-ACB
SADDLE	☒ WTB Silverado
SEAT POST	↑ All Terra 2-bolt, 31.6x400mm
SEAT CLAMP	☒ All Terra Alloy QR, 34.9mm



MOUNTAIN » XC

HELION COMP

27.5
SUB

ALL NEW
FOR MY15



SIZES	☰ XS, S, M, L, XL
COLORS (CODE)	☒ Matte Grey
FRAME	☒ COR XC Philosophy, 6061-T6 Hydroformed Aluminum Frame, 130mm Travel Independent Drivetrain® 27.5 AOS Suspension System w/Forged Linkage, Pivots, 1 1/8"-1 1/2" Integrated Head Tube, and 12 x 142mm Maxle Dropouts
FORK	↑ Raidon XC RL-R 27.5", 110mm Travel, Air Spring, QR Dropout, w/Remote Lockout & Rebound Adjust, Tapered Alloy Steerer
REAR SHOCK	☒ X-Fusion 02 RL, 6.5"x1.5" Air Shock, w/Rebound Adjust & Remote Lockout
CHAIN DEVICE	☒ N/A
CRANKSET	☒ Shimano FC-M430, 44/32/22T
BOTTOM BRACKET	☒ Shimano BB-ES25, Octalink
PEDALS	☒ N/A
DERAILLEUR	☒ (F) Shimano SLX, FD-M661-D, (R) Shimano Deore, RD-M592
SHIFTERS	☒ Shimano Alivio, SL-M4000
REAR COGS	☒ SRAM PG920, 11-34T, 9-speed
CHAIN	☒ KMC Z99
RIMS	☒ Alex GXD22, Double Wall 32H
TIRES	☒ (F) WTB BeeLine 27.5x2.2", (R) WTB BeeLine 27.5x2.2"
HUBS	☒ (F) All Terra Alloy Centerlock Disc, w/Quick Release, (R) All Terra Alloy Cassette Centerlock Disc, w/Quick Release

SPOKES	* 14G Stainless, Black
NIPPLES	* Brass
BRAKES	☒ (F) Shimano BR-M355 Hydraulic, w/180mm Centerlock Rotor; (R) Shimano BR-M355 Hydraulic, w/180mm Centerlock Rotor
BRAKE LEVERS	☒ Shimano BR-M355
HANDLEBARS	~ All Terra AL6061 DB, 740mm
STEM	☒ All Terra, 1 1/8" Threadless, 6° Rise, 31.8mm Clamp, 80mm
GRIPS	☒ GT Statement Single Lock-on Grips
HEADSET	☒ Orbit C-40-ACB
SADDLE	☒ All Terra Colorado
SEAT POST	↑ All Terra 2-bolt, 31.6x400mm
SEAT CLAMP	☒ All Terra Alloy QR, 34.9mm



ZASKAR CARBON 9R LTD



SIZES	⇒ S, M, L, XL
COLORS (CODE)	☐ Matte Raw
FRAME	∇ E.O.C. Ultra™ Speed Blend Carbon Frame, Triple Triangle™ Frame Construction, E.O.C. BB30 Shell, Dropouts, and 1 1/8" to 1 1/2" Tapered Head Tube, w/9R Specific Geometry
FORK	↑ RockShox Sid XX World Cup, Solo Air, 100mm Travel, 15x100mm Maxle Thru Axle, w/Rebound Adjust, XLoc Remote Lockout, & Tapered Carbon Steerer
REAR SHOCK	☐ N/A
CHAIN DEVICE	☉ (F) e.thirteen XCX+
CRANKSET	☉ RaceFace Next Carbon, 32T, Narrow Wide
BOTTOM BRACKET	☐ FSA BB30
PEDALS	☐ N/A
DERAILLEUR	↗ (R) Shimano XTR Shadow Plus, Direct Mount, RD-M9000
SHIFTERS	⊕ Shimano XTR, SL-M9000, Rapid Fire, Right Side Only
REAR COGS	↗ Shimano XTR, CS-M9000, 11-Speed, 11-40T
CHAIN	○ Shimano CN-HG90011, 11-speed
RIMS	○ Stan's NoTubes Crest, ZTR Tubeless, 32H
TIRES	⋯ (F) Continental Race King 29"x2.2", Folding Bead, (R) Continental Race King 29"x2.2", Folding Bead
HUBS	⇔ (F) DT Swiss 240S, Centerlock, 15x100mm Thru Axle (R) DT Swiss 240S, Centerlock, Quick Release

SPOKES	* DT Revolution, 1.8/1.6 Stainless, Black
NIPPLES	* DT Alloy
BRAKES	↗ (F) Shimano XTR, BR-M9000 w/Metallic Pads, 180mm SM-RT99 Centerlock Ice Tech Rotor; (R) Shimano XTR, BR-M9000 w/Metallic Pads, 160mm SM-RT99 Centerlock Ice Tech Rotor
BRAKE LEVERS	☑ Shimano XTR, BL-M9000
HANDLEBARS	~ RaceFace Next Carbon, Flat-Wide, 720mm Width, 31.8mm Clamp
STEM	☐ RaceFace Turbine, 1 1/8" Threadless, 31.8mm Clamp
GRIPS	☞ GT Statement
HEADSET	☉ FSA NO.42/48CF/ACB, Integrated, 1.5" Lower, 1 1/8" Upper
SADDLE	▷ Fizik Tundra3 Braided Carbon
SEAT POST	↑ RaceFace Next
SEAT CLAMP	☉ All Terra Alloy Bolt-on



ZASKAR CARBON 9R PRO



SIZES	⇒ S, M, L, XL
COLORS (CODE)	☐ Matte Raw
FRAME	∇ E.O.C. Ultra™ Speed Blend Carbon Frame, Triple Triangle™ Frame Construction, E.O.C. BB30 Shell, Dropouts, and 1 1/8" to 1 1/2" Tapered Head Tube, w/ R Specific Geometry
FORK	↑ Fox Racing Shox 32 Float 29 FIT Remote, 100mm Travel, 15x100mm Thru Axle, w/Rebound Adjust, FIT Damper, Remote Lockout, & Tapered Alloy Steerer
REAR SHOCK	☐ N/A
CHAIN DEVICE	☉ (F) e.thirteen XCX+
CRANKSET	☉ RaceFace Turbine Basic, 32T, Narrow Wide
BOTTOM BRACKET	☐ RaceFace
PEDALS	☐ N/A
DERAILLEUR	↗ (R) Shimano Deore XT Shadow Plus, RD-M786-GS
SHIFTERS	⊕ Shimano Deore XT, SL-M780, Rapid Fire, Right Side Only
REAR COGS	↗ Shimano Deore XT, CS-M771, 10-Speed, 11-36T
CHAIN	○ KMC X10
RIMS	○ Stan's NoTubes Crest, ZTR Tubeless, 32H
TIRES	⊘ (F) Continental Race King 29"x2.2", Folding Bead, (R) Continental Race King 29"x2.2", Folding Bead
HUBS	⇄ (F) DT Swiss 350, Centerlock, 15x100mm Thru Axle, (R) DT Swiss 350, Centerlock, Quick Release

SPOKES	* DT Competition, 1.8/1.6 Stainless, Black
NIPPLES	* DT Alloy
BRAKES	↗ (F) Shimano Deore XT, BR-M785 w/Metallic Pad, 180mm SM-RT81 Centerlock Ice Tech Rotor; (R) Shimano Deore XT, BR-M785 w/Metallic Pad, 160mm SM-RT81 Centerlock Ice Tech Rotor
BRAKE LEVERS	↖ Shimano Deore XT, BL-M785
HANDLEBARS	~ RaceFace Turbine, Flat-Wide, 720mm Width, 31.8mm Clamp
STEM	☐ RaceFace Turbine, 1 1/8" Threadless, 31.8mm Clamp
GRIPS	☞ GT Statement
HEADSET	⊙ FSA No.42 ACB, Integrated, 1.5" Lower, 1 1/8" Upper
SADDLE	▷ Fizik Tundra2 Mg
SEAT POST	↑ RaceFace Turbine
SEAT CLAMP	☉ All Terra Alloy Bolt-on



ZASKAR CARBON 9R EXPERT



SIZES	⇒ S, M, L, XL
COLORS (CODE)	☐ White
FRAME	∇ E.O.C. Ultra™ Speed Blend Carbon Frame, Triple Triangle™ Frame Construction, E.O.C. BB30 Shell, Dropouts, and 1 1/8" to 1 1/2" Tapered Head Tube, w/9R Specific Geometry
FORK	↑ RockShox Reba RL 29, Solo Air, 100mm Travel, 15x100mm Maxle Thru Axle, w/Rebound Adjust, PushLoc Remote Lockout, & Tapered Alloy Steerer
REAR SHOCK	⊞ N/A
CHAIN DEVICE	☞ (F) e.thirteen XCX+
CRANKSET	⊕ RaceFace Evolve, 32T, Narrow Wide
BOTTOM BRACKET	⇒ RaceFace
PEDALS	⊞ N/A
DERAILLEUR	↗ (R) Shimano Deore XT Shadow Plus, RD-M786-GS
SHIFTERS	⊕ Shimano SLX, SL-M670, Rapid Fire, Right Side Only
REAR COGS	▶ Shimano Deore XT, CS-M771, 10-Speed, 11-36T
CHAIN	○ KMC X10
RIMS	○ Stan's Notubes Rapid 25, 29", 32H
TIRES	⋯ (F) Continental Race King, 29"x2.2", Folding Bead, (R) Continental Race King, 29"x2.2", Folding Bead
HUBS	⇄ (F) All Terra Tall Flange Alloy, Sealed Bearing, Centerlock Disc, 15x100mm Thru Axle, (R) All Terra Tall Flange Alloy, 4 Sealed Bearing, Centerlock Disc, Cassette, w/Quick Release

SPOKES	* DT Swiss Competition, 1.6/1.8 Stainless
NIPPLES	* DT Swiss Alloy
BRAKES	↷ (F) Shimano SLX, BR-M675 Hydraulic, w/Metallic Pad & RT-67 180mm Centerlock Rotor, (R) Shimano SLX, BR-M675 Hydraulic, w/Metallic Pad & RT-67 160mm Centerlock Rotor
BRAKE LEVERS	☞ Shimano SLX, BL-M675
HANDLEBARS	~ RaceFace Evolve, Flat-Wide, 720mm Width, 31.8mm Clamp
STEM	⊞ RaceFace Evolve, 1 1/8" Threadless, 6° Rise, 31.8mm Clamp
GRIPS	☞ GT Statement
HEADSET	⊕ FSA No.42 ACB, Integrated, 1.5" Lower, 1 1/8" Upper
SADDLE	▷ Fizik Tundra2 Mg
SEAT POST	↑ RaceFace Evolve
SEAT CLAMP	☞ All Terra Alloy Bolt-on



ZASKAR CARBON 9R ELITE



SIZES	⇒ S, M, L, XL
COLORS (CODE)	☐ Matte Raw
FRAME	∇ E.O.C. Ultra™ Speed Blend Carbon Frame, Triple Triangle™ Frame Construction, E.O.C. BB30 Shell, Dropouts, and 1 1/8" to 1 1/2" Tapered Head Tube, w/9R Specific Geometry
FORK	↑ RockShox Recon Gold RL 29, Solo Air, 100mm Travel, 15x100mm Maxle Thru Axle, w/Rebound Adjust, PushLoc Remote Lockout, & Tapered Alloy Steerer
REAR SHOCK	☐ N/A
CHAIN DEVICE	☉ (F) Shimano Deore, FD-M615B, 2x10
CRANKSET	☉ Shimano Deore, FC-M615, 38/24T, 2x10
BOTTOM BRACKET	☐ Shimano
PEDALS	☐ N/A
DERAILLEUR	↗ (R) Shimano SLX Shadow Plus, RD-M675-GS
SHIFTERS	⊕ Shimano SLX, SL-M670, Rapid Fire
REAR COGS	↗ Shimano CS-HG50-10, 11-36T, 10-speed
CHAIN	○ KMC X10
RIMS	○ WTB ST i19 TCS 29", 32H
TIRES	⊞ (F) Continental Race King 29"x2.2", Folding Bead, (R) Continental Race King 29"x2.2", Folding Bead
HUBS	⇄ (F) All Terra Tall Flange Alloy, Sealed Bearing, Centerlock Disc, 15x100mm Thru Axle, (R) All Terra Tall Flange Alloy, 4 Sealed Bearing, Centerlock Disc, Cassette, w/Quick Release

SPOKES	* DT Swiss Competition, 1.6/1.8 Stainless
NIPPLES	* DT Swiss Alloy
BRAKES	☉ (F) Shimano Deore, BR-M615 Hydraulic, w/Metallic Pad & 180mm Centerlock Rotor, (R) Shimano Deore, BR-M615 Hydraulic, w/Metallic Pad & 160mm Centerlock Rotor
BRAKE LEVERS	☉ Shimano Deore, BL-M615
HANDLEBARS	~ RaceFace Ride Flat Bar, 710mm Width, 31.8mm Clamp
STEM	☐ RaceFace Ride, 1 1/8" Threadless, 6° Rise, 31.8mm Clamp
GRIPS	☉ GT Statement
HEADSET	☉ FSA No.42 ACB, Integrated, 1.5" Lower, 1 1/8" Upper
SADDLE	☐ Fizik Tundra2 Mg
SEAT POST	↑ RaceFace Ride
SEAT CLAMP	☉ All Terra Alloy Bolt-on



ZASKAR ELITE

27.5
SUB



SIZES	☰ XS, S, M, L, XL
COLORS (CODE)	☒ Gloss Black
FRAME	☒ 27.5 Speed Metal Ultra™ Alloy Blend Hydroformed (TT,DT,ST,CS), Triple Triangle™ Frame Construction, w/ 2 Piece PM Brake Tabs, Replaceable Derailleur Hanger, Forged BB, HT, Dropouts, Tapered 1 1/8" to 1 1/2" HT,
FORK	↑ RockShox Recon Gold TK 27.5 Solo Air, 100mm Travel, w/ Rebound Adjust, PushLoc Remote Lockout, & Tapered Alloy Steerer
REAR SHOCK	☒ N/A
CHAIN DEVICE	☒ N/A
CRANKSET	☒ Shimano SLX, FC-M675, 38/24T, 2x10
BOTTOM BRACKET	☒ Shimano SLX
PEDALS	☒ N/A
DERAILLEUR	☒ (F) Shimano Deore, FD-M616B, 2x10, (R) Shimano Deore XT Shadow Plus, RD-M786-GS
SHIFTERS	☒ Shimano SLX, SL-M670, Rapid Fire
REAR COGS	☒ Shimano CS-HG50-10, 11-36T, 10-speed
CHAIN	☒ KMC X10
RIMS	☒ WTB ST i19 TCS 27.5", Tubeless, 32H
TIRES	☒ (F) Continental Race King 27.5"x2.2", Folding Bead, (R) Continental Race King 27.5"x2.2", Folding Bead
HUBS	☒ (F) All Terra Alloy Sealed Bearing Centerlock Disc, w/Quick Release, (R) All Terra Alloy Sealed Bearing Centerlock Disc Cassette, w/Quick Release

SPOKES	* 14/15G DB Stainless
NIPPLES	* Brass
BRAKES	☒ (F) Shimano Deore, BR-M615 Hydraulic, w/Metallic Pad & 180mm Centerlock Rotor, (R) Shimano Deore, BR-M615 Hydraulic, w/Metallic Pad & 160mm Centerlock Rotor
BRAKE LEVERS	☒ Shimano Deore, BL-M615
HANDLEBARS	~ Kore XCD-R1 Riser, Double Butted, 710mm Width, 13mm Rise, 31.8mm Clamp
STEM	☒ Kore XCD1, 1 1/8" Threadless, 8° Rise, 31.8mm Clamp
GRIPS	☒ GT Statement
HEADSET	☒ FSA No.42 ACB, Integrated, 1.5" Lower, 1 1/8" Upper
SADDLE	☒ Fizik Tundra2 Mg
SEAT POST	↑ Kore Torsion
SEAT CLAMP	☒ All Terra Alloy Bolt-on



MOUNTAIN » XC

ZASKAR COMP

27.5
550B



SIZES	☰ XS, S, M, L, XL
COLORS (CODE)	☐ Matte Gun Grey
FRAME	☑ NEW GT Speed Metal™ alloy Hydroformed (TT,DT,CS), Triple Triangle™ Frame Construction, w/ Post Mount Disc Brake, Replaceable Deraileur Hanger, Forged BB, HT, Dropouts, Tapered 1 1/8" to 1 1/2" HT, 27.5 Design
FORK	↑ RockShox 30 Gold TK 27.5 Solo Air, 100mm Travel, w/ Rebound Adjust, PopLoc Remote Lockout, & Tapered Alloy Steerer
REAR SHOCK	☐ N/A
CHAIN DEVICE	☐ N/A
CRANKSET	☉ Shimano Deore, FC-M615, 38/24T, 2x10
BOTTOM BRACKET	☐ Shimano
PEDALS	☐ N/A
DERAILLEUR	☞ (F) Shimano Deore, FD-M616B, 2x10, (R) Shimano SLX Shadow Plus, RD-M675-GS
SHIFTERS	☉ Shimano Deore, SL-M610, Rapid Fire
REAR COGS	☞ Shimano CS-HG50-10, 11-36T, 10-speed
CHAIN	☐ KMC X10
RIMS	☉ Alex GXD22, Double Wall, 32H
TIRES	☞ Continental Race King 27.5"x2.2", Folding Bead
HUBS	☞ (F) All Terra Alloy Centerlock Disc, w/Quick Release, (R) All Terra Alloy Cassette Centerlock Disc, w/Quick Release

SPOKES	* 14G Stainless
NIPPLES	* Brass
BRAKES	☞ (F) Shimano BR-M447 Hydraulic, w/180mm Centerlock Rotor; (R) Shimano BR-M447 Hydraulic, w/160mm Centerlock Rotor
BRAKE LEVERS	☐ Shimano BR-M506
HANDLEBARS	~ Kore XCD-R1 Riser, Double Butted, 710mm Width, 13mm Rise, 31.8mm Clamp
STEM	☐ Kore XCD1, 1 1/8" Threadless, 6° Rise, 31.8mm Clamp
GRIPS	☞ GT Statement
HEADSET	☉ FSA No.42E ACB, Integrated, 1.5" Lower, 1 1/8" Upper
SADDLE	☐ All Terra Colorado
SEAT POST	☐ All Terra AL6061 w/Forged Head
SEAT CLAMP	☉ All Terra Alloy QR



ZASKAR SPORT

27.5
SUB



SIZES	⇒ XS, S, M, L, XL
COLORS (CODE)	☐ Gloss White
FRAME	△ NEW GT Speed Metal™ alloy Hydroformed (TT,DT,CS), Triple Triangle™ Frame Construction, w/ Post Mount Disc Brake, Replaceable Derailleur Hanger, Forged BB, HT, Dropouts, Tapered 1 1/8" to 1 1/2" HT, 27.5 Design
FORK	↑ RockShox XC30 TK 27.5 Solo Air, 100mm Travel, Air Spring, w/ Rebound Adjust, PopLoc Remote Lockout, & Tapered Alloy Steerer
REAR SHOCK	⊞ N/A
CHAIN DEVICE	☞ N/A
CRANKSET	⊕ Shimano Deore, FC-M615, 38/24T, 2x10
BOTTOM BRACKET	⊔ Shimano
PEDALS	⊞ N/A
DERAILLEUR	↗ (F) Shimano Deore, FD-M616B, 2x10, (R) Shimano Deore Shadow Plus, RD-M615-GS
SHIFTERS	⊕ Shimano Deore, SL-M610, Rapid Fire
REAR COGS	↗ Shimano CS-HG50-10, 11-36T, 10-speed
CHAIN	○ KMC X10
RIMS	○ Alex GXD22, Double Wall, 32H
TIRES	⊞ Continental Race King 27.5"x2.2", Folding Bead
HUBS	⇔ (F) All Terra Alloy Centerlock Disc, w/Quick Release, (R) All Terra Alloy Cassette Centerlock Disc, w/Quick Release

SPOKES	* 14G Stainless
NIPPLES	* Brass
BRAKES	⊞ (F) Shimano BR-M396 Hydraulic, w/180mm Centerlock Rotor, (R) Shimano BR-M396 Hydraulic, w/160mm Centerlock Rotor
BRAKE LEVERS	☒ Shimano BR-M396
HANDLEBARS	~ All Terra Riser, 710mm Width, 15mm Rise, 31.8mm Clamp
STEM	☞ All Terra 1 1/8" Threadless, 3D Forged, 4-bolt w/CNC face plate, 6° Rise, 31.8mm Clamp
GRIPS	☞ GT Statement
HEADSET	⊕ FSA No.42E ACB, Integrated, 1.5" Lower, 1 1/8" Upper
SADDLE	▷ All Terra Colorado
SEAT POST	↑ All Terra AL6061 w/Forged Head
SEAT CLAMP	☞ All Terra Alloy QR



RECREATIONAL HARDTAIL

If you're lucky enough to live close to trails, but also use your bike to tackle your daily travels, the GT's Recreational Hardtail line is exactly what you're looking for. Lightweight and maneuverable, they're perfect for weekend warrior action, and agile enough to get around the city when the week rolls back around. Looking for a quiver of one? Then look no further.



TIMBERLINE EXPERT (HYDRO)



SIZES	≡ S, M, L, XL
COLORS (CODE)	☐ Matte Blue, Gloss White
FRAME	▽ 29" 6061-T6 Aluminum Triple Triangle™ Frame, w/Replaceable Derailleur Hanger, Disc Brake Mounts, and 1 1/8" Head Tube
FORK	↑ SR Suntour XCT HLO w/ 80mm Travel, 29", QR, w/ Lockout
REAR SHOCK	⊞ N/A
CHAIN DEVICE	☉ N/A
CRANKSET	⊙ Forged Alloy 42/34/24T
BOTTOM BRACKET	⊞ Cartridge Sealed
PEDALS	⊞ GT Slim Line Flat Pedal
DERAILLEUR	↗ (F) Shimano TX50 (R) Shimano Acera, RD-M360
SHIFTERS	⊕ Shimano SL-M310, 8 Speed
REAR COGS	▸ Sunrace, 11-34T, 8-Speed Cassette UPC
CHAIN	○ KMC Z72
RIMS	○ Jalco JD200, Double Wall, 32H
TIRES	⊗ All Terrain 29X2.10" F/R
HUBS	↔ (F) Alloy Disc QR, (R) Alloy Cassette Disc QR

SPOKES	✱ 14G Stainless
NIPPLES	✱ Brass
BRAKES	⊞ Tektro HD-M290 Hydro Disc w/160mm Rotor F/R
BRAKE LEVERS	☑ Tektro Hydro Disc Brake Lever
HANDLEBARS	~ Alloy MTB Riser Bar
STEM	⊞ Alloy Ahead
GRIPS	☞ GT Wing w/Waffle
HEADSET	⊙ 1 1/8" Ahead
SADDLE	▷ GT MTB Saddle
SEAT POST	↓ Alloy Micro Adjust
SEAT CLAMP	⊙ Alloy QR





MOUNTAIN » RECREATIONAL HARDTAIL
TIMBERLINE COMP



SIZES	≡ S, M, L, XL
COLORS (CODE)	☐ Gloss Black, Charcoal
FRAME	▽ 29" 6061-T6 Aluminum Triple Triangle™ Frame, w/ Replaceable Derailleur Hanger, and 1 1/8" Head Tube
FORK	↑ SR Suntour M3020-A 29" w/75mm Travel, Preload Adjust, QR
REAR SHOCK	⊞ N/A
CHAIN DEVICE	☞ N/A
CRANKSET	⊖ Forged Alloy 42/34/24T
BOTTOM BRACKET	⇨ Cartridge Sealed
PEDALS	⊞ GT Slim Line Flat Pedal
DERAILLEUR	↗ (F) Shimano Tourney (R) Shimano Acera, RD-M360
SHIFTERS	⊕ Shimano EF-51 EZ-FIRE 8 Speed
REAR COGS	▸ Sunrace, 11-34T, 8-Speed Cassette UPC
CHAIN	○ KMC Z72
RIMS	○ Alex Ace 24, Double Wall w/CNC Sidewall, 32H
TIRES	⊗ All Terrain 29X2.10" F/R
HUBS	⇨ (F) Alloy QR, (R) Alloy Cassette QR

SPOKES	* 14G Stainless
NIPPLES	* Brass
BRAKES	☞ Linear Pull w/108mm Arms F/R
BRAKE LEVERS	☑ Shimano EF-51
HANDLEBARS	~ Alloy MTB Riser Bar
STEM	☐ Alloy Ahead
GRIPS	☞ GT Wing w/Waffle
HEADSET	⊗ 1 1/8" Ahead
SADDLE	☞ GT MTB Saddle
SEAT POST	↑ Alloy Micro Adjust
SEAT CLAMP	☞ Alloy QR



MOUNTAIN » RECREATIONAL HARDTAIL

AGGRESSOR EXPERT (HYDRO)

27.5
SUB



SIZES	☰ XS, S, M, L, XL
COLORS (CODE)	☒ Matte Blue, Gloss White
FRAME	☒ NEW 6061-T6 Aluminum Triple Triangle™ Frame, w/Replaceable Deraileur Hanger, Disc Brake Mounts, and 1 1/8" Head Tube 27.5 DESIGN
FORK	☒ SR Suntour XCT HLO w/80mm Travel, QR, w/Lockout FOR 27.5
REAR SHOCK	☒ N/A
CHAIN DEVICE	☒ N/A
CRANKSET	☒ Forged Alloy 42/34/24T
BOTTOM BRACKET	☒ Cartridge Sealed
PEDALS	☒ GT Slim Line Flat Pedal
DERAILLEUR	☒ (F) Shimano TX50 (R) Shimano Acera, RD-M360
SHIFTERS	☒ Shimano SL-M310, 8 Speed
REAR COGS	☒ Sunrace, 11-34T, 8-Speed Cassette UPC
CHAIN	☒ KMC Z72
RIMS	☒ Jalco JD200, Double Wall, w/GSW, 32H 27.5
TIRES	☒ All Terrain 27.5X2.10" F/R
HUBS	☒ (F) Alloy Disc QR, (R) Alloy Cassette Disc QR

SPOKES	☒ 14G Stainless
NIPPLES	☒ Brass
BRAKES	☒ Tektro HD-M290 Hydro Disc w/160mm Rotor F/R
BRAKE LEVERS	☒ Tektro Hydro Disc Brake Lever
HANDLEBARS	☒ Alloy MTB Riser Bar
STEM	☒ Alloy Ahead
GRIPS	☒ GT Wing w/Waffle
HEADSET	☒ 1 1/8" Ahead
SADDLE	☒ GT MTB Saddle
SEAT POST	☒ Alloy Micro Adjust
SEAT CLAMP	☒ Alloy QR





MOUNTAIN » RECREATIONAL HARDTAIL
AGGRESSOR COMP

27.5
550B



SIZES	☰ XS, S, M, L, XL
COLORS (CODE)	☒ Charcoal, Gloss Black
FRAME	☒ NEW 6061-T6 Aluminum Triple Triangle™ Frame, w/Replaceable Deraillieur Hanger, Disc Brake Mounts, and 1 1/8" Head Tube 27.5 DESIGN
FORK	☒ SR Suntour XCT HLO w/80mm Travel, QR, w/ Lockout FOR 27.5
REAR SHOCK	☒ N/A
CHAIN DEVICE	☒ N/A
CRANKSET	☒ Forged Alloy 42/34/24T
BOTTOM BRACKET	☒ Cartridge Sealed
PEDALS	☒ GT Slim Line Flat Pedal
DERAILLEUR	☒ (F) Shimano Tourney (R) New Shimano Altus, RD-M280
SHIFTERS	☒ Shimano EF-51 EZ Fire Plus, 7 Speed
REAR COGS	☒ Sunrace 7-Speed, 14-34T F/W
CHAIN	☒ KMC Z51
RIMS	☒ Jalco JD200, Double Wall, w/GSW, 32H 27.5
TIRES	☒ All Terrain 27.5X2.10" F/R
HUBS	☒ (F) Alloy Disc QR, (R) Alloy Cassette Disc QR

SPOKES	☒ 14G Stainless
NIPPLES	☒ Brass
BRAKES	☒ Tektro MD-M300 Mechanical Disc w/160mm Rotor F/R
BRAKE LEVERS	☒ Shimano EF-51
HANDLEBARS	☒ Alloy MTB Riser Bar
STEM	☒ Alloy Ahead
GRIPS	☒ GT Wing w/Waffle
HEADSET	☒ 1 1/8" Ahead
SADDLE	☒ GT MTB Saddle
SEAT POST	☒ Alloy Micro Adjust
SEAT CLAMP	☒ Alloy QR





MOUNTAIN » RECREATIONAL HARDTAIL
AGGRESSOR SPORT

27.5
550B



SIZES	☰ XS, S, M, L, XL
COLORS (CODE)	☑ Gloss White, Matte Black
FRAME	▧ NEW 6061-T6 Aluminum Triple Triangle™ Frame, w/Replaceable Derailleur Hanger, and 1 1/8" Head Tube 27.5 DESIGN
FORK	↑ SR Suntour M3030-DS-PM w/ 63mm Travel, QR FOR 27.5
REAR SHOCK	⊞ N/A
CHAIN DEVICE	☪ N/A
CRANKSET	⊖ Forged Alloy 42/34/24T
BOTTOM BRACKET	⊞ Cartridge Sealed
PEDALS	⊞ GT Slim Line Flat Pedal
DERAILLEUR	↗ (F) Shimano Tourney (R) Shimano Tourney TX55
SHIFTERS	⊕ Shimano EF-51 EZ Fire, 7 Speed
REAR COGS	▸ Sunrace 7-Speed, 14-34T F/W
CHAIN	○ KMC Z51
RIMS	○ Jalco JD200, Double Wall, W/ GSW, 32H 27.5
TIRES	⊗ All Terrain 27.5X2.10" F/R
HUBS	↔ (F) Alloy QR, (R) Alloy Freewheel QR

SPOKES	* 14G Stainless
NIPPLES	* Brass
BRAKES	⌘ Linear Pull w/108mm Arms F/R
BRAKE LEVERS	☑ Shimano EF-51
HANDLEBARS	~ Alloy MTB Riser Bar
STEM	⊞ Alloy Ahead
GRIPS	☞ GT Wing w/Waffle
HEADSET	⊗ 1 1/8" Ahead
SADDLE	⊞ GT MTB Saddle
SEAT POST	↑ Alloy Micro Adjust
SEAT CLAMP	⊞ Alloy QR





MTBMX

Hitting the trails is like opening the floodgates on your appetite for destruction. It's just you and your friends out there doing your best to show up and go hard, getting crazier than a bachelor party in Mexico.



LA BOMBA



SIZES	≡	26" Wheel, 22.6"(L) Top Tube
COLORS (CODE)	☞	Matte Gun Metal
FRAME	∇	GT 6061 Aluminum, Euro Threaded BB, Disc Brake Mount, Integrated 1 1/8" -1.5" Taper H/T, ISCG Chain Guide Taps, Horizontal Adjustable Dropout w/ Integrated Axle Adjusters and Available Derailleur Hanger
FORK	↑	Marzocchi DJ1, Coil w/Rebound Adjust, 20mm Thru Axle Dropout, 1-1/8" - 1.5" Taper AL Steerer, Pre Load Adjust
CRANK	⊗	GT Tubular Flat Oval Chromoly 2.5PC Press Fit 19mm x 48T Spline Hollow Spindle, 104 BCD 4 Bolt Spider w/ 36T GT Speed CNC AL Chainring, 175mmL
BOTTOM BRACKET	⇔	Euro External Sealed Bearing
PEDALS	⊕	GT Low Profile Large Size Platform Design, PP Material, Boran Axle
FREEWHEEL	⚙	16T Cog
CHAIN	○	KMC Z610
RIMS	○	Alienation Skylark Double Wall, 32H F/R
TIRES	⊗	26" x 2.35" F/R GT Sandbox MTB Natural Skin wall, Folding Kevlar Bead
HUBS	⇔	Ano Blue Rear Disc Cassette Hub, Bolt, OLD=135MM, 4 Seal Bearing, Alloy Body, w/AL 12mm x 182mm Hollow Thru Axle w/Nut and Spacer, Includes 20mmx1 + 10mm x1 + 1mmx2 Spacers + 16T Cog + Lock Ring)

SPOKES	✱	14G Stainless
NIPPLES	✱	Brass
BRAKES	⊗	Shimano ZEE Hydro Disc Rear, 140mm Rotor
BRAKE LEVERS	☞	Shimano ZEE Hydro Disc
HANDLEBARS	~	FUNN Flatout Butted Alloy 31.8" x 730mmW, 50mm Rise, 6° Up, 7° Back
STEM	⊕	GT AL MTBMX CNC 50mmL Reach 31.8mm Clamp
GRIPS	☞	GT DOHC 140mmL Single Lock On
HEADSET	⊗	FSA Orbits Integrated Taper 1-1/8"- 1.5", 45 x 45 Degree Sealed Bearing
SADDLE	⊕	GT Embossed SDG Apollo I-Beam
SEAT POST	↑	SDG Micro Adj. I-Beam, 27.2 x 250mmL
SEAT CLAMP	⊗	FUNN CNC Single Bolt
EXTRAS	⚙	Removable Derailleur Hanger



RUCKUS DJ ZERO



SIZES	≡	26" Wheel, 21"(S), 22"(M), 23"(L) Top Tube
COLORS (CODE)	☐	Matte Black
FRAME	∇	GT, Sanko Butted 100% Cr-Mo w/Internal DT Gusset, Threaded BB, 3D Dropouts w/Integrated Axle Adj., Disc Brake ISCG Mount, Removable Rotor Guides, Integrated 1-1/8"-1.5" Taper H/T
FORK	↑	Marzocchi DJ1, Coil w/ Rebound Adjust, 20mm Thru Axle Dropout, 1-1/8" - 1.5" Taper AL Steerer, Pre Load Adjust
CRANK	⊖	GT Tubular Cr-Mo 2PC., (S)170mmL, (M-L)175mmL, Cr-Mo 22mm x 48T Spline Spindle, 26T GT 6.35mm CNC AL Chain Ring
BOTTOM BRACKET	⇔	Euro Sealed Bearing
PEDALS	⊞	GT Low Profile Large Size Platform Design, PP Material, Boran Axle
FREEWHEEL	⚙	12T Cog
CHAIN	○	KMC Z410
RIMS	○	GT MTBMX Double Wall, 32H F/R
TIRES	⋯	26" x 2.35" F/R GT Sandbox MTB, Folding Kevlar Bead, Natural Skinnwall
HUBS	⇔	Ano Plum Rear Disc Cassette Hub, Bolt, OLD=135MM, 4 Seal-Bearing, Alloy Body, w/10mm Nuted Axle Spacer, Includes 20mmx1 + 10mm x1 + 1mmx2 Spacers + 16T Cog + Lock Ring)

SPOKES	✱	14G Stainless
NIPPLES	✱	Brass
BRAKES	⊞	Promax Mechanic Disc, Int Standard Mount, AL Caliper, Ventilation Stainless Steel Rotor: 140mm
BRAKE LEVERS	∇	V-Type AL 2 Finger Lever w/Reach Adjust
HANDLEBARS	~	FUNN Flatout Butted Alloy, 31.8" x 730mmW, 50mm Rise, 6° Up x 7° Back
STEM	⊞	GT AL MTBMX CNC 50mmL Reach 31.8mm Clamp
GRIPS	☞	GT DOHC 140mmL Single Lock On
HEADSET	⊞	FSA Orbits Integrated Taper 1-1/8" - 1.5", 45 x 45 Degree Sealed Bearing
SADDLE	▷	GT Embossed Freestyle Design Pivotal Saddle
SEAT POST	↓	Pivotal 150mmL
SEAT CLAMP	⊖	Integrated w/Frame
EXTRAS	⚡	Removable Derailleur Hanger



RUCKUS DJ



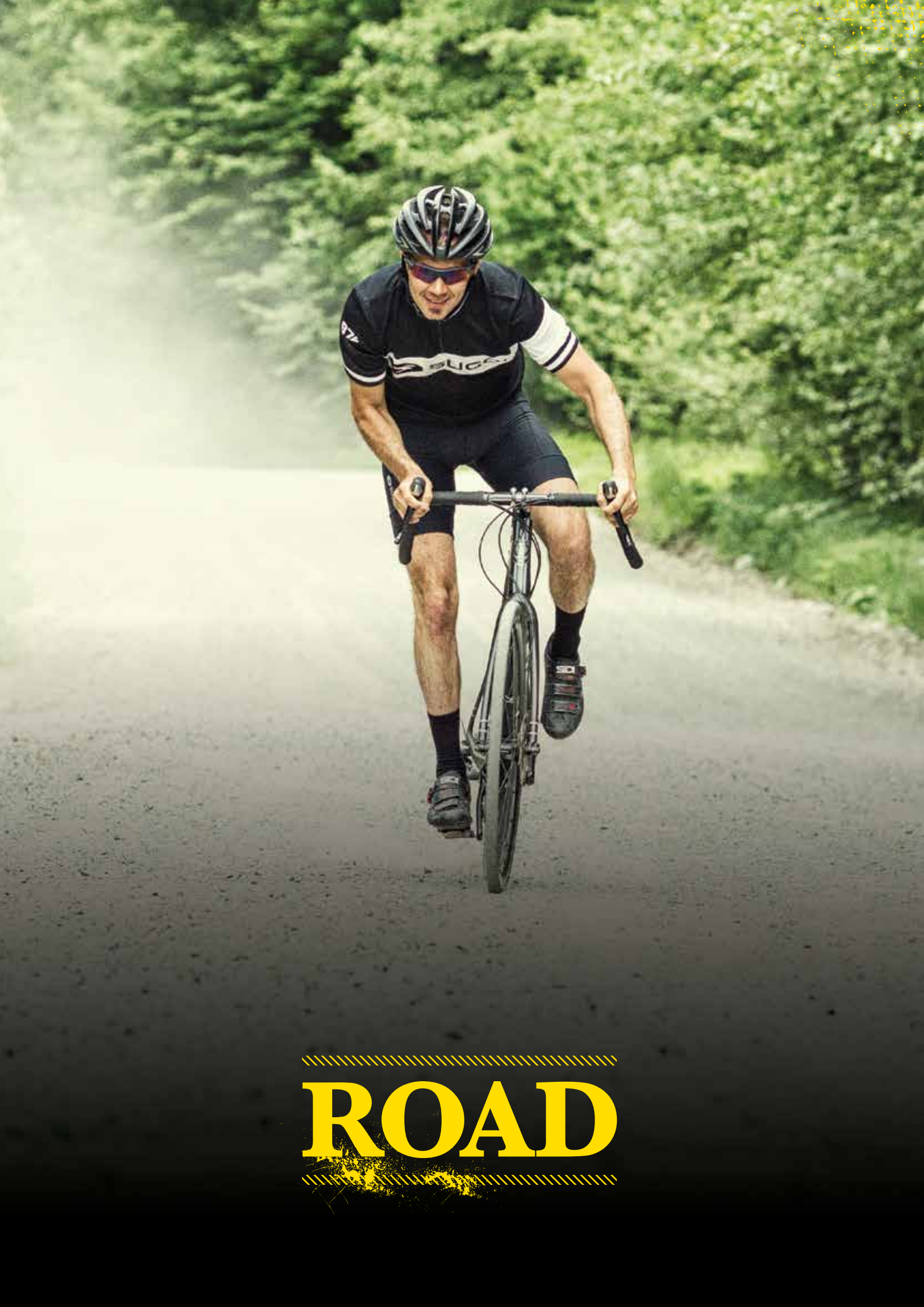
SIZES	≡	26" Wheel, 22"(M), 23"(L) Top Tube
COLORS (CODE)	☞	Matte Raw Heat Treated
FRAME	∇	GT Dirt Design S/S, Cr-Mo Main Tubes (H/T, T/T, D/T), DT Gusset, MID BB, Disc Brake Mount, External 1-1/8" H/T w/Affix Internal Cable Rotor System, 3/8" Dropouts
FORK	↑	GT BMX Pro, 100% Cr-Mo Butted 1 1/8" Steerer and Tapered 31.8-28.6mm Blades, 3/8" Dropouts, Affix Internal Cable Rotor System
CRANK	⊖	GT Tubular Cr-Mo 3PC., 175mmL Arms, Cold Forged Cr-Mo 19mm x 8T Spline Spindle, 5mm 28T GT AL Chain Ring
BOTTOM BRACKET	⇔	Mid Sealed Bearing
PEDALS	⊕	GT Low Profile Large Size Platform Design, PP Material, Boran Axle
FREEWHEEL	⚙	13T Freewheel
CHAIN	○	KMC Z410
RIMS	○	GT MTBMX Double Wall, 32H F/R
TIRES	⋯	26" x 2.35" F/R GT Sandbox MTB, Wire Bead
HUBS	⇔	GT Alloy Body, Sealed Bearing 3/8" Heat Treated Nutted Axle, 32H F/R

SPOKES	✱	14G Stainless
NIPPLES	✱	Brass
BRAKES	⊘	Promax Mechanic Disc, Int Standard Mount, AL Caliper, Ventilation Stainless Steel Rotor: 140mm
BRAKE LEVERS	☞	V-Type AL 2 Finger Lever w/Reach Adjust
HANDLEBARS	~	GT Interceptor 100% Cr-Mo; 735mm Width, 100mm Rise, 7° Sweep, 3° Tip, Taper Cross Bar Design
STEM	⊖	GT Top Load BMX Design w/Cold Forged Clamp, 50mm Ext
GRIPS	☞	GT DOHC 140mmL Single Compound
HEADSET	⊗	1-1/8" Threadless, Steel
SADDLE	▷	GT Embossed Dirt Design Unified Padded Saddle w/Post
SEAT POST	↑	Alloy Integrated w/Saddle, 250mmL
SEAT CLAMP	⊖	28.6mm Single Bolt
EXTRAS	⚙	AFFIX Internal Cable Rotor System



SIZES	≡	26" Wheel, 21.5"(S) Top Tube
COLORS (CODE)	☞	Matte Plum
FRAME	∇	GT 6061 Aluminum, Euro Threaded BB, Disc Brake Mount, 1-1/8" H/T, D/T Water Bottle Mount, ISCG Chain Guide Taps, Vertical Dropout w/Replaceable Derailleur Hanger
FORK	↑	Suntour SF13 XCM DS26, 80mm, Coil Spring w/Preload Adjuster, AL Crown
CRANK	⊗	GT 3D CNC Alloy 3 PC., 165mmL Arms, 24mm Hollow Cr-Mo Spindle, 36T x 3/32" GT Speed CNC AL Chainring, AL Chainring Bolts
BOTTOM BRACKET	⇨	Euro External Sealed Bearing
PEDALS	⊕	GT Low Profile Large Size Platform Design, PP Material, Boran Axle
FREEWHEEL	⌘	8-Speed, 11, 13, 15, 18, 21, 24, 28, 34T
DERAILEUR	⌘	Shimano Altus 8-Speed
SHIFTER	⌘	Shimano Acera 8-Speed Rapidfire Shifter
CHAIN	○	KMC Z51
RIMS	○	GT MTBMX Double Wall, 32H F/R
TIRES	⋯	26" x 2.35" F/R GT Sandbox MTB, Wire Bead
HUBS	⇔	(F) Disc, OLD=110mm, Q/R 3/8" Axle, 32H (R) Disc, OLD 135mm, 3/8" Q/R Axle, Multi-Speed Cassette, 32H

SPOKES	✱	14G Stainless
NIPPLES	✱	Brass
BRAKES	⌘	Promax Mechanic Disc, Int Standard Mount, AL Caliper, Ventilation Stainless Steel Rotor: 160mm F/R
BRAKE LEVERS	☞	V-Type AL 2 Finger Lever w/ Reach Adjust
HANDLEBARS	~	FUNN Alloy Riser 31.8 x 710mmW, 15mm Rise, 7° Back, 2° Up Sweep
STEM	⇨	GT All MTN Front Load w/ Cold Forged Clamp, 40mm Ext
GRIPS	☞	GT DOHC 140mmL Single Compound
HEADSET	⊗	1 1/8" Threadless, Steel
SADDLE	⇨	GT Embossed Race Design Pivotal Saddle
SEAT POST	↑	Pivotal 27.2 x 250mmL
SEAT CLAMP	⊗	31.8mm w/ Quick Release
EXTRAS	⌘	FUNN ISCG Chain Guide, CNC for Single Ring, Adj. Pulley



ROAD

DUAL FIBER DYNAMICS



DUAL FIBER  DYNAMICS



As suggested by “dual”, these seat stays are a composite of two lightweight and ultra stiff materials: a composite glass fiber and carbon. The solid core provides incredible rigidity, and the carbon outer layer acts as added vibration dampening. In the end, you have a bike that gives the rider a lot more control and a lot less fatigue on the ride



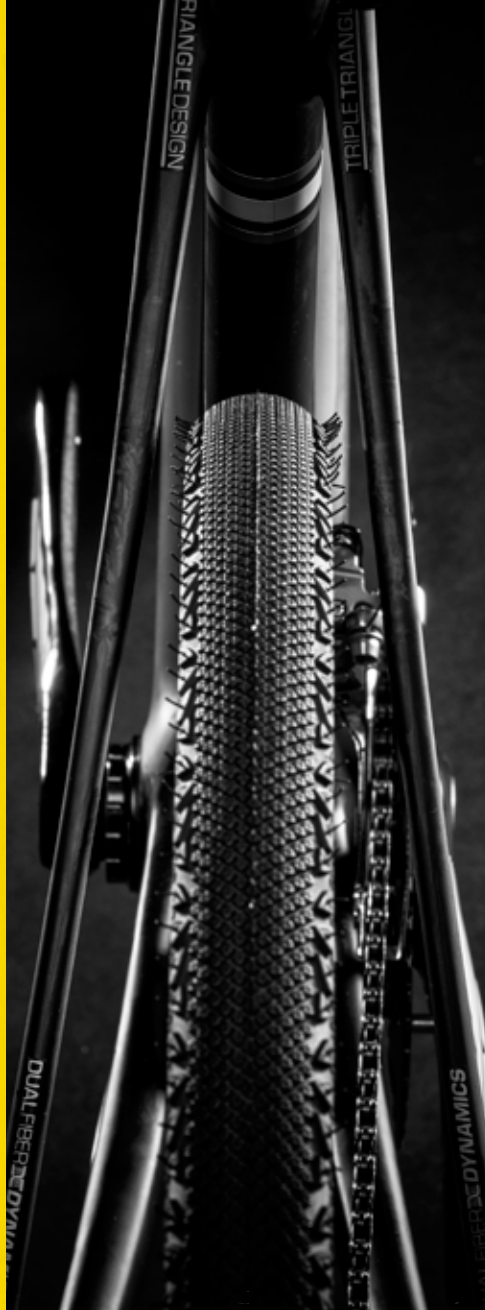
TRIPLE TRIANGLE™

The Grades Triple Triangle works as a vibration damping system, enhancing vertical compliance and providing the rider with added control and reduced fatigue.



MAX TREADROOM

The chainstays of all Grade models have been engineered with clearance to accommodate a wide choice of tread patterns and tire widths beyond 35mm.



← **TREADROOM** →
TIRE CLEARANCE



ENDUROAD

Over the last few years, there has been a definite shift in the road community away from the traditional race mindset. Understanding that the non-conformist of the Road needs a high-performance daily ripper, our EnduRoad bikes are the perfect choice for anyone who wants to go on all-day adventures, race a Fondo, or explore those hidden side roads just outside of town. Unconstrained by the usual UCI guidelines of most road bikes, we've loaded up on features that matter to the kind of rider who rebels against what road riding "should" be and wants a bike that knows no bounds.



GRADE CARBON ULTEGRA



SIZES	⇒ XS 121.9 (48), S 127 (50), S/M 132 (52), M/L 137 (54), L 143.5 (56.5), XL 146.3 (58), XXL 154.9 (61)
COLORS (CODE)	☞ Matte Raw
FRAME	↗ All New GT EnduRoad carbon frame and fork, disc specific triple triangle with Tapered head tube, full carbon fork, PFBB30 bottom bracket, removable fender bridge
FORK	↑ GT Carbon with tapered 1 1/8-1 1/4" threadless Carbon steerer, disc specific, 15mm thru axle
CRANKSET	⊗ Shimano Ultegra 52/36 with Praxis Works PF30 BB adapter
BOTTOM BRACKET	⇔ Praxis Works PF30 BB adapter
PEDALS	⊕ N/A
DERAILLEUR	↗ (F) Shimano Ultegra braze on, (R) Shimano Ultegra 11spd
SHIFTERS	⊕ Shimano Ultegra STI 11spd
REAR COGS	▶ Shimano 11spd 11-32
CHAIN	○ KMC x-11
RIMS	○ Stans No Tubes Grail Disc specific Road 28h
TIRES	⊗ Continental Grand Sport Race 700x28c Folding, 180 tpi Folding
HUBS	⇔ (F) DT Swiss 240 sealed bearing, centerlock, 15mm thru-axle, (R) DT Swiss 240 sealed bearing, centerlock, 135 x 9mm

SPOKES	✱ 15g Stainless Steel
NIPPLES	✱ Brass CP
BRAKES	↗ (F) Shimano R685 hydraulic w/cooling fins, 160mm IceTech centerlock rotors, (R) Shimano R685 hydraulic w/cooling fins, 160mm IceTech centerlock rotors
BRAKE LEVERS	☞ Shimano BR-R685
HANDLEBARS	~ New GT DropTune Ultra Light double butted 2014 alloy bar with 14degree flair
STEM	⊖ New design 3D forged alloy SL
GRIPS	☞ Black Marble Cork
HEADSET	⊗ Integrated FSA sealed bearing
SADDLE	▷ Fizik Aliante VS Mg
SEAT POST	↓ FSA K-Force Light carbon 27.2, 20mm set back
SEAT CLAMP	○ New Alloy blk ano



GRADE CARBON 105



SIZES	⇒ XS 121.9 (48), S 127 (50), S/M 132 (52), M/L 137 (54), L 143.5 (56.5), XL 146.3 (58), XXL 154.9 (61)
COLORS (CODE)	☐ Matte Trans Black
FRAME	∇ All New GT EnduRoad carbon frame and fork, disc specific triple triangle with Tapered head tube, full carbon fork, PFBB30 bottom bracket, removable fender bridge
FORK	↑ GT Carbon with tapered 1 1/8-1 1/4" Carbon steerer, disc specific, 15mm thru axle
CRANKSET	⊗ Shimano 105 52/36
BOTTOM BRACKET	⇔ Praxis Works PF30 BB adapter
PEDALS	⊕ N/A
DERAILLEUR	↗ (F) Shimano 105 braze on, (R) Shimano 105 11spd
SHIFTERS	⊕ Shimano 105 STI 11spd
REAR COGS	▮ Shimano 105 11spd 11-32
CHAIN	○ KMC X11
RIMS	○ Stans No Tubes Grail Disc specific Road 28h
TIRES	⊗ Continental Grand Sport Race 700x28c, 180 tpi
HUBS	⇔ (F) Formula 4 bearing sealed, centerlock 15mm thru-axle 28h, (R) Formula 4 bearing sealed, centerlock, 135 x 9mm

SPOKES	✧ 15g Stainless Steel
NIPPLES	✧ Brass CP
BRAKES	⊗ (F) Shimano R685 hydraulic w/cooling fins, 160mm IceTech centerlock rotors, (R) Shimano R685 hydraulic w/cooling fins, 160mm IceTech centerlock rotors
BRAKE LEVERS	↘ Shimano BR-R685
HANDLEBARS	~ New GT DropTune Super Light double butted 6061 alloy bar with 14degree flair
STEM	⊗ New design 3D forged alloy SL
GRIPS	⊗ Black Marble Cork
HEADSET	⊗ Integrated FSA sealed bearing
SADDLE	▷ Fizik Aliante VS Mg
SEAT POST	↓ FSA SL-K carbon 27.2, 20mm set back
SEAT CLAMP	⊗ New Alloy blk ano



ROAD » ENDUROAD

GRADE ALLOY X



SIZES	☰ XS 121.9 (48), S 127 (50), S/M 132 (52), M/L 137 (54), L 143.5 (56.5), XL 146.3 (58), XXL 154.9 (61)
COLORS (CODE)	☒ Matte Grey
FRAME	☒ Grade double butted alloy frame with smooth welds, hydroformed (TT,DT), Tapered 1 1/8-1 1/4" headtube, threaded
FORK	☒ GT Carbon with tapered 1 1/8-1 1/4" threadless Carbon steerer, disc specific, 15mm thru axle
CRANKSET	☒ FSA Omega Mega EXO Semi-Compact 52alloy/36alloy
BOTTOM BRACKET	☒ FSA Sealed Cartridge
PEDALS	☒ Low Profile Nylon w/ Toe Clips
DERAILEUR	☒ (F) Shimano 105, (R) Shimano 105
SHIFTERS	☒ Shimano BR-R685
REAR COGS	☒ Shimano 105 11spd 11-32
CHAIN	☒ KMC X11
RIMS	☒ Jalco CR435 disc specific road 22mm tall profile
TIRES	☒ Continental Ultra Sport II 700 x 28 180tpi, wire bead
HUBS	☒ (F) Formula Ultralight 6 bolt disc sealed 28h, (R) Formula Ultra light 6 bolt disc sealed cassette 32h

SPOKES	☒ 15g stainless steel
NIPPLES	☒ Brass CP
BRAKES	☒ (F) Shimano R685 hydraulic w/cooling fins, 160mm IceTech centerlock rotors, (R) Shimano R685 hydraulic w/cooling fins, 160mm IceTech centerlock rotors
BRAKE LEVERS	☒ Shimano BR-R685
HANDLEBARS	☒ New GT DropTune Ultra Light double butted 6061 alloy bar with 14degree flair
STEM	☒ GT Design 3D forged 6061, 4 bolt face plate
GRIPS	☒ Velo Cork
HEADSET	☒ Integrated FSA sealed bearing
SADDLE	☒ New GT Bio-Morphic ROAD dual density base
SEAT POST	☒ two bolt aluminum
SEAT CLAMP	☒ New Alloy blk ano



GRADE ALLOY 105



SIZES	☰ XS 121.9 (48), S 127 (50), S/M 132 (52), M/L 137 (54), L 143.5 (56.5), XL 146.3 (58), XXL 154.9 (61)
COLORS (CODE)	☒ Matte Grey
FRAME	☒ NEW Grade Double Butted Triple Triangle™ alloy frame with smooth welds, hydroformed (TT,DT), tapered 1 1/8 - 1 1/4" HT
FORK	☒ Grade Carbon 1 1/8-1 1/4" threadless alum steerer
CRANKSET	☒ FSA Vero Compact 50/36
BOTTOM BRACKET	☒ FSA Sealed Cartridge
PEDALS	☒ Low Profile Nylon w/ Toe Clips
DERAILLEUR	☒ (F) Shimano 105, (R) Shimano 105
SHIFTERS	☒ Shimano 105 STI 11spd
CASSETTE	☒ Shimano 105 11spd 11-32
CHAIN	☒ KMC X11
RIMS	☒ Alex ATD470 disc specific road 22mm tall profile
TIRES	☒ Continental Ultra Sport II 700 x 28 180tpi, wire bead
HUBS	☒ (F) Formula Ultralight 6 bolt disc sealed 28h, (R) Formula Ultra light 6 bolt disc sealed cassette 32h

SPOKES	☒ 15g stainless steel
NIPPLES	☒ Brass CP
BRAKES	☒ Tektro Hyrd hydraulic, 160mm rotor F/R
BRAKE LEVERS	☒ Shimano 105 STI 11spd
HANDLEBARS	☒ New GT DropTune Ultra Light double butted 6061 alloy bar with 14degree flair
STEM	☒ GT Design 3D forged 6061, 4 bolt face plate
GRIPS	☒ Velo Cork
HEADSET	☒ Integrated FSA sealed bearing
SADDLE	☒ New GT Bio-Morphic ROAD dual density base
SEAT POST	☒ Two bolt aluminum
SEAT CLAMP	☒ New Alloy - Black Ano



GRADE ALLOY TIAGRA



SIZES	⇒ XS 121.9 (48), S 127 (50), S/M 132 (52), M/L 137 (54), L 143.5 (56.5), XL 146.3 (58), XXL 154.9 (61)
COLORS (CODE)	☐ Gloss White
FRAME	∇ NEW Grade Double Butted Triple Triangle™ alloy frame with smooth welds, hydroformed (TT,DT)
FORK	↑ Grade Carbon 1 1/8-1 1/4" threadless alum steerer
CRANKSET	⊖ FSA Vero Compact 50/34
BOTTOM BRACKET	⇌ FSA Sealed Cartridge
PEDALS	⊞ Low Profile Nylon w/ Toe Clips
DERAILLEUR	↗ (F) Shimano Tiagra, (R) Shimano Tiagra 10spd
SHIFTERS	⊕ Shimano Tiagra STI 10 spd
CASSETTE	▸ Shimano Tiagra 10sod 12-28
CHAIN	○ KMC X10 10spd
RIMS	○ Alex ATD470 disc specific road 22mm tall profile
TIRES	⊗ Continental Ultra Sport II 700 x 28 180tpi, wire bead
HUBS	⇔ (F) Formula 6 bolt disc sealed 28h, (R) Formula 6 bolt disc sealed cassette 32h

SPOKES	* 15g stainless steel
NIPPLES	* Brass CP
BRAKES	⊘ Tektro Spyre mechanical disc road brake, 160mm rotor F/R
BRAKE LEVERS	☑ Shimano Tiagra 10 spd STI
HANDLEBARS	~ New GT DropTune Ultra Light double butted 6061 alloy bar with 14degree flair
STEM	⊞ GT Design 3D forged 6061, 4 bolt face plate
GRIPS	☞ Velo Cork
HEADSET	⊗ Integrated TH sealed bearing
SADDLE	▷ New GT Bio-Morphic ROAD dual density base
SEAT POST	↓ Two bolt aluminum
SEAT CLAMP	⊖ New Alloy - Black Ano



GRADE ALLOY SORA



SIZES	☰ XS 121.9 (48), S 127 (50), S/M 132 (52), M/L 137 (54), L 143.5 (56.5), XL 146.3 (58), XXL 154.9 (61)
COLORS (CODE)	☒ Matte Navy
FRAME	☒ Grade Double Butted Triple Triangle™ alloy frame with smooth welds, hydroformed (TT,DT),
FORK	☒ Grade Carbon 1 1/8-1 1/4" threadless alum steerer
CRANKSET	☒ FSA Vero Compact 50/34
BOTTOM BRACKET	☒ FSA Sealed Cartridge
PEDALS	☒ Low Profile Nylon w/ Toe Clips
DERAILLEUR	☒ (F) Shimano FD 3500 (R) Shimano RD3500 Sora 9spd
SHIFTERS	☒ Shimano RD3500 Sora Sti
CASSETTE	☒ Sun Race 9spd 11-28
CHAIN	☒ KMC X9
RIMS	☒ Alex ATD470 disc specific road 22mm tall profile
TIRES	☒ Kenda Kwest 700 x 28 30tpi, wire bead
HUBS	☒ (F) Formula 6 bolt disc sealed 28h, (R) Formula 6 bolt disc sealed cassette 32h

SPOKES	☒ 15g stainless steel
NIPPLES	☒ Brass CP
BRAKES	☒ Bengal MB-7000t Mechanical disc brake, 160mm rotor F/R
BRAKE LEVERS	☒ Shimano RD3500 Sora STI
HANDLEBARS	☒ New GT Drop/Tune Ultra Light double butted 6061 alloy bar with 14degree flair
STEM	☒ GT Design 3D forged 6061, 4 bolt face plate
GRIPS	☒ Velo Cork
HEADSET	☒ Integrated FSA sealed bearing
SADDLE	☒ New GT Bio-Morphic ROAD dual density base
SEAT POST	☒ Two bolt aluminum
SEAT CLAMP	☒ New Alloy - Black Ano



SPORTIVE

Everyone has their own reasons to ride. For some it's a way of life, and for others it's a way around town. If you use your trusty steed for off-season training, hitting the hills with friends, and occasionally trying your legs out on a Fondo, then look no further than the GT Road Sport series to service your every need. Built with the same tough love as their mountain brethren, these bikes stand up to every adventure on your docket.



GTS EXPERT



SIZES	⇒ XS 127 (50), S 132 (52), M 137.2 (54), L 142.2 (56), XL 147.3 (58), XXL 152.4 (60)
COLORS (CODE)	☐ Gloss White
FRAME	△ NEW GTS Alloy Frame w/ Smooth Welds, Hydroformed (TIG), Improved Fender Clearance
FORK	∩ GTS Carbon 1 1/8" Threadless Aluminum Steerer
CRANKSET	⊙ FSA Vero Compact 50/34
BOTTOM BRACKET	⇌ FSA Sealed Cartridge
PEDALS	⊕ Low Profile Nylon w/ Toe Clips
DERAILLEUR	↗ (F) Shimano Tiagra, (R) Shimano Tiagra 10spd
SHIFTERS	⊕ Shimano Tiagra STI 10spd
CASSETTE	≡ Shimano Tiagra 10spd 12-28
CHAIN	○ KMC X10
RIMS	○ Jalco DRX-20 Aero Type Alloy Rims, CNC Sides
TIRES	⊕ Continental Ultra Sport II 700 x 25 180TPI, Wire Bead
HUBS	⇌ (F) Formula Sealed, (R) Formula Sealed Cassette

SPOKES	✱ 15g Stainless Steel
NIPPLES	✱ Brass CP
BRAKES	↺ Tektro Dual Pivot F/R
BRAKE LEVERS	↵ Shimano Tiagra 10spd STI
HANDLEBARS	~ GT Shallow Drop 6061 Alloy
STEM	⇌ GT Design 3D Forged 6061, 4 Bolt Face Plate
GRIPS	☞ Velo Cork
HEADSET	⊙ Integrated FSA Sealed Bearing
SADDLE	▷ New GT Bio-Morphic RACE Dual Density Base
SEAT POST	∩ Two Bolt Aluminum
SEAT CLAMP	⊙ Cold Forged w/Nickel Finish



ROAD » SPORTIVE

GTS COMP



SIZES	⇒ XS 127 (50), S 132 (52), M 137.2 (54), L 142.2 (56), XL 147.3 (58), XXL 152.4 (60)
COLORS (CODE)	☐ Gloss White
FRAME	△ NEW GTS Alloy Frame w/ Smooth Welds, Hydroformed (TIG), Improved Fender Clearance
FORK	∩ GTS Carbon 1 1/8" Threadless Aluminum Steerer
CRANKSET	⊕ FSA Tempo Compact 50/34
BOTTOM BRACKET	⇒ FSA Sealed Cartridge
PEDALS	⊞ Low Profile Nylon w/ Toe Clips
DERAILLEUR	↗ (F) Shimano FD3500 Sora, (R) Shimano RD3500 Sora 9spd
SHIFTERS	⊕ Shimano ST3500 Sora Sti
CASSETTE	▶ Sunrace 9spd 11-28
CHAIN	○ KMC X9
RIMS	○ Jalco DRX-20 Aero Type Alloy Rims, CNC Sides
TIRES	⋯ Continental Ultra Sport II 700 x 25 180TPI, Wire Bead
HUBS	⇒ (F) Formula Sealed Cassette 32H, (R) Formula Sealed 32H

SPOKES	* 15g Stainless Steel
NIPPLES	* Brass CP
BRAKES	∩ Tektro Dual Pivot F/R
BRAKE LEVERS	☑ Shimano ST3500 Sora Sti
HANDLEBARS	~ GTR Shallow Drop 6061 Alloy
STEM	⇒ GT Design 3D Forged 6061, 4 Bolt Face Plate
GRIPS	⇒ Velo Cork
HEADSET	⊕ Integrated FSA Sealed Bearing
SADDLE	▷ New GT Bio-Morphic ROAD Dual Density Base
SEAT POST	∩ Two Bolt Aluminum
SEAT CLAMP	⊕ Cold Forged w/Nickel Finish



SIZES	☰ XS 127 (50), S 132 (52), M 137.2 (54), L 142.2 (56), XL 147.3 (58), XXL 152.4 (60)
COLORS (CODE)	☑ Gloss Black
FRAME	△ NEW GTS Alloy Frame w/ Smooth Welds, Hydroformed (TIG/DT), Improved Fender Clearance
FORK	∩ GTS Carbon 1 1/8" Threadless Aluminum Steerer
CRANKSET	⊗ FSA Tempo Compact 50/35
BOTTOM BRACKET	⇨ FSA Sealed Cartridge
PEDALS	⊕ Low Profile Nylon w/ Toe Clips
DERAILLEUR	↗ (F) Shimano 2400 Claris, (R) Shimano 2400 Claris 8spd
SHIFTERS	⊕ Shimano 2400 Claris Sti
CASSETTE	↗ Sun Race 8spd 12-25
CHAIN	○ KMC 8spd
RIMS	○ Jalco DRX-20 Aero Type Alloy Rims, CNC Sides
TIRES	⊗ Continental Ultra Sport II 700 x 25 180TPI, Wire Bead
HUBS	⇨ (F) Formula Sealed 32H, (R) Formula Sealed Cassette 32H

SPOKES	* 15g Stainless Steel
NIPPLES	* Brass CP
BRAKES	∩ Tektro Dual Pivot F/R
BRAKE LEVERS	☑ Shimano 2400 Claris Sti
HANDLEBARS	~ GT Shallow Drop 6061 Alloy
STEM	⇨ GT Design 3D Forged 6061, 4 Bolt Face Plate
GRIPS	☞ Velo Cork
HEADSET	⊗ Integrated FSA Sealed Bearing
SADDLE	⇨ New GT Bio-Morphic ROAD Dual Density Base
SEAT POST	∩ Two Bolt Aluminum
SEAT CLAMP	⊗ Cold Forged w/Nickel Finish



SPORT

Some days your bike journey is as simple as getting from home to work and back without incident, but other days (the weekends, perhaps?) you'd like to work yourself and head for the hills. With relaxed geometries and lightweight frames, GT's Urban Sport bikes are designed to do it all, even if the only dirt your tires see all week are construction zones.



TRANSEO 1.0



SIZES	☰ XS, S, M, L, XL
COLORS (CODE)	☐ Pearl White
FRAME	▽ GT Transeo Triple Triangle Speed Metal™ alloy frame, double butted, smooth welded, and hydroformed (T,T,D,T), forged drop-outs, chainstay disc mounts, all utility braze ons
FORK	↑ SR NRX-E RL Air 75mm travel, Airspung with pre-load, remote lockout, alloy uppers and magnesium lowers, alloy steerer
CRANKSET	⊗ Shimano Alivio M431 Hollowtech Octalink 48/36/26
BOTTOM BRACKET	⇨ Shimano Octalink
PEDALS	⊞ Alloy one piece trekking, cro-mo axle
DERAILLEUR	↗ (F) Shimano Alivio FD-M430, (R) Shimano XT shadow RD-M772
SHIFTERS	⊕ Shimano Deore 9spd Rapid Fire
REAR COGS	▸ Sunrace CSM96 10-speed 11-34t nickle finish
CHAIN	○ KMC HG53
RIMS	○ Jalco JD200 Double Wall Alloy, 32h
TIRES	⋯ 700x35c Kenda Happy Medium w/puncture protection and reflective sidewalls F/R
HUBS	⇄ (F) All Terra Alloy 32H, Disc Specific, (R) All Terra Alloy 32H, Freehub Disc Specific

SPOKES	* Stainless steel 14 gauge
NIPPLES	* Brass CP
BRAKES	⊗ Shimano BR-M355, Hydraulic Disc, w/160mm Rotor SM-RT56 F/R
BRAKE LEVERS	☒ Shimano Hydraulic Disc Brake Lever
HANDLEBARS	~ GT Type R flat riser bar, 31.8x640mm
STEM	⊞ all new 3D forged GT alloy stem
GRIPS	☞ GT Dual Density
HEADSET	⊗ Integrated 1 1/8" sealed bearing
SADDLE	▷ GT All Terra bio morphic design
SEAT POST	↑ GT All Terra two bolt alloy
SEAT CLAMP	⊗ GT All Terra cold forged clamp QR



TRANSEO 2.0



SIZES	☰ XS, S, M, L, XL
COLORS (CODE)	☐ Matte Blue
FRAME	▽ GT Transeo Triple Triangle Speed Metal™ alloy frame, double butted, smooth welded, and hydroformed (T,T,D,T), forged drop-outs, chainstay disc mounts, all utility braze ons
FORK	↑ SR NRX-D RL 75mm travel, pre-load adjust, remote lockout, alloy steerer, Magnesium lowers
CRANKSET	⊖ Shimano Octalink M391 48/36/26t 9spd
BOTTOM BRACKET	⇨ Shimano Cartridge sealed
PEDALS	⊞ Alloy one piece trekking, cro-mo axle
DERAILLEUR	↗ (F) Shimano Acera FD-M390, (R) Shimano Deore RD-M591 9spd
SHIFTERS	⊕ Shimano Alivio 9spd Rapid Fire
REAR COGS	▸ Sunrace CSM96 9spd cassette 11-34t
CHAIN	⊖ KMC HG53
RIMS	○ Jalco JD200 Double Wall Alloy, 32h
TIRES	⋯ 700x35c Kenda Happy Medium w/puncture protection and reflective sidewalls
HUBS	⇔ (F) All Terra Alloy 32H, Disc Specific, (R) All Terra Alloy 32H, Freehub Disc Specific

SPOKES	* Stainless steel 14 gauge
NIPPLES	* Brass CP
BRAKES	⊞ Shimano BR-M355, Hydraulic Disc, w/160mm Rotor SM-RT56 F/R
BRAKE LEVERS	☑ Shimano Hydraulic Disc Brake Lever
HANDLEBARS	~ GT Type R flat riser bar, 31.8x640mm
STEM	⊞ All new 3D forged GT alloy stem
GRIPS	☞ GT Wings
HEADSET	⊗ Integrated 1 1/8" sealed bearing
SADDLE	▷ GT All Terra bio morphic
SEAT POST	↑ GT All Terra two bolt alloy
SEAT CLAMP	⊖ GT All Terra cold forged clamp QR



TRANSEO 3.0



SIZES	☰ XS, S, M, L, XL
COLORS (CODE)	☐ Gloss Black, Matte Gunmetal
FRAME	▽ GT Transeo Triple Triangle 7000 series alloy, smooth welded, and hydroformed (T,DT), forged drop-outs, chainstay disc mounts, all utility braze ons
FORK	↑ SR / Suntour NVX-DS HLO 75mm travel, pre-load adjust, Hydraulic Lockout, disc specific, fender mounts
CRANKSET	⊕ Shimano M311 Octalink 48/38/28
BOTTOM BRACKET	⊖ Cartridge sealed
PEDALS	⊞ High Impact Nylon Comfort
DERAILLEUR	↗ (F) Shimano FD M191, (R) Shimano Acera RD-M360 8spd
SHIFTERS	⊕ Shimano Acera 8spd Rapid Fire
REAR COGS	▮ Sunrace CSM55 8spd cassette 11-32t
CHAIN	○ KMC HG-40
RIMS	○ Jalco JD200 Double Wall Alloy, 32h
TIRES	⋯ 700x35c Innova Trekking w/puncture protection and reflective sidewalls F/R
HUBS	↔ (F) All Terra Alloy 32h Disc Specific, (R) All Terra Alloy 32h Frechub Disc Specific

SPOKES	* Stainless steel 14 gauge
NIPPLES	* Brass CP
BRAKES	☒ Shimano BR-M355, Hydraulic Disc, w/160mm Rotor SM-RT56 F/R
BRAKE LEVERS	☑ Shimano Hydraulic Disc Brake Lever
HANDLEBARS	~ GT Type R flat riser bar, 31.8x640mm
STEM	⌘ All new 3D forged GT alloy stem
GRIPS	☞ GT Wings
HEADSET	⊙ Integrated 1 1/8" sealed bearing
SADDLE	▷ GT All Terra bio morphic
SEAT POST	↑ GT All Terra two bolt alloy
SEAT CLAMP	⊖ GT All Terra cold forged clamp QR

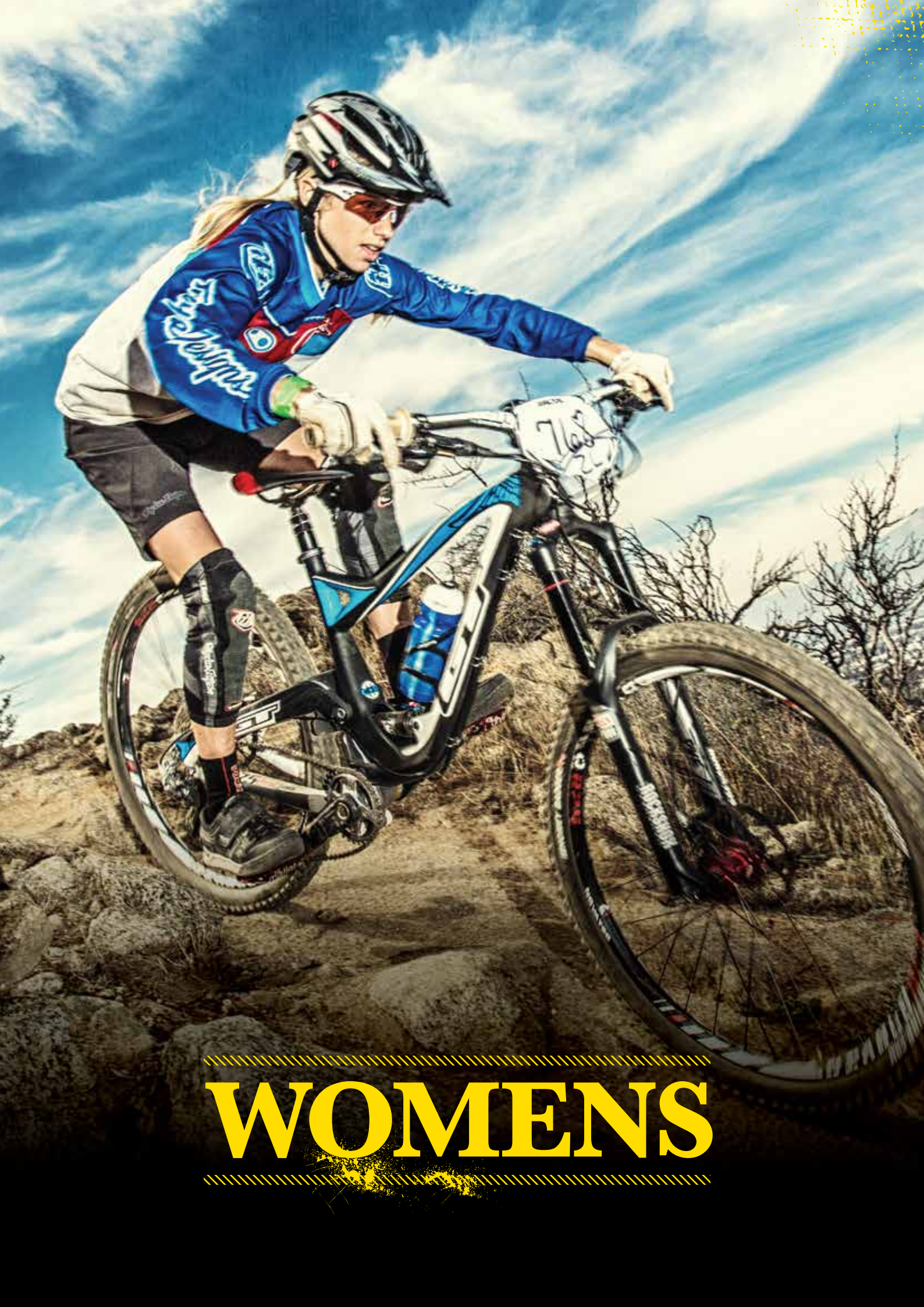


TRANSEO 4.0



SIZES	☰ XS, S, M, L, XL
COLORS (CODE)	☒ Gloss Gunmetal, Pearl White
FRAME	▧ GT Transeo Triple Triangle 7000 series alloy, smooth welded, and hydroformed (T,DT), forged drop-outs, chainstay disc mounts, all utility braze ons
FORK	↑ SR / Suntour NVX-DS HLO 75mm travel, pre-load adjust, Hydraulic Lockout, disc specific, fender mounts
CRANKSET	⊗ Suntour NEX 48/38/28
BOTTOM BRACKET	⊖ Cartridge sealed
PEDALS	⊞ High Impact nylon platform
DERAILLEUR	↗ (F) Shimano FD M191, (R) Shimano Altus RD-M310 8spd
SHIFTERS	⊕ Shimano Altus EF-51 Rapid Fire plus
REAR COGS	▮ Sunrace CSM55 8spd cassette 11-32t
CHAIN	○ KMC Z72
RIMS	○ Jalco JD200 Double Wall Alloy, 32h
TIRES	⋯ 700x40c Innova LandTracker w/ puncture protection
HUBS	⇔ (F) All Terra Alloy 32h Disc Specific, (R) All Terra Alloy 32h Frechub Disc Specific

SPOKES	* Stainless steel 14 gauge
NIPPLES	* Brass CP
BRAKES	⊘ Tektro MD-M300 Mechanical disc brake, 160mm rotor F/R
BRAKE LEVERS	☒ Shimano EF-51
HANDLEBARS	~ GT Type R flat riser bar, 31.8x640mm
STEM	⊞ All new 3D forged GT alloy stem
GRIPS	☒ GT Wings
HEADSET	⊗ Integrated 1 1/8" sealed bearing
SADDLE	▷ GT All Terra bio-morphic
SEAT POST	↑ GT All Terra two bolt alloy
SEAT CLAMP	⊖ GT All Terra cold forged clamp QR



WOMENS



SIZES	☐	S, M
COLORS (CODE)	☐	Pearl White, Purple Haze
FRAME	☐	6061-T6 Aluminum Step Thru Frame, w/Replaceable Derailleur Hanger and 1 1/8" Head Tube
FORK	☐	SR Suntour M3010-AL w/63mm Travel, QR
REAR SHOCK	☐	N/A
CHAIN DEVICE	☐	N/A
CRANKSET	☐	Forged Alloy 42/34/24T
BOTTOM BRACKET	☐	Cartridge Sealed
PEDALS	☐	MTB Flat Pedal w/Cr-mo Axle
DERAILLEUR	☐	(F) Shimano Tourney, (R) Shimano Tourney TX55
SHIFTERS	☐	Microshift Tab w/Gear Indicator
REAR COGS	☐	Shimano 7-Speed, 14-34T F/W
CHAIN	☐	KMC Z51
RIMS	☐	Alex MV20, Double Wall, w/GSW, 32H
TIRES	☐	All Terrain 26" x 2.0" F/R
HUBS	☐	(F) Alloy QR, (R) Alloy Freewheel QR

SPOKES	☐	14G Stainless
NIPPLES	☐	Brass
BRAKES	☐	Linear Pull w/110mm Arms
BRAKE LEVERS	☐	Promax Two Finger Linear Pull
HANDLEBARS	☐	Alloy MTB Riser Bar
STEM	☐	Alloy Ahead
GRIPS	☐	Dual Density, GT Wing w/Waffle
HEADSET	☐	1 1/8" Ahead
SADDLE	☐	GT Ladies MTB
SEAT POST	☐	Alloy Micro Adjust
SEAT CLAMP	☐	Alloy QR



WOMENS » URBAN » SPORT

TRANSEO 3.0 - LADIES



SIZES	☰ S, M, L
COLORS (CODE)	☒ Matte Purple, Matte Gunmetal
FRAME	☒ GT Transeo Triple Triangle 7000 series alloy, smooth welded, and hydroformed (T,DT), forged drop-outs, chainstay disc mounts, all utility braze ons
FORK	☒ SR / Suntour NVX-DS HLO 75mm travel, pre-load adjust, Hydraulic Lockout, disc specific, fender mounts
CRANKSET	☒ Shimano M311 Octalink 48/38/28
BOTTOM BRACKET	☒ Cartridge sealed
PEDALS	☒ High Impact Nylon Comfort
DERAILLEUR	☒ (F) Shimano FD M191, (R) Shimano Acera RD-M360 8spd
SHIFTERS	☒ Shimano Acera 8spd Rapid Fire
REAR COGS	☒ Sunrace CSM55 8spd cassette 11-32t
CHAIN	☒ KMC HG-40
RIMS	☒ Jalco JD200 Double Wall Alloy, 32h
TIRES	☒ 700x35c Innova Trekking w/puncture protection and reflective sidewalls F/R
HUBS	☒ (F) All Terra Alloy 32h Disc Specific, (R) All Terra Alloy 32h Frechub Disc Specific

SPOKES	☒ Stainless steel 14 gauge
NIPPLES	☒ Brass CP
BRAKES	☒ Shimano BR-M355, Hydraulic Disc, w/160mm Rotor SM-RT56 F/R
BRAKE LEVERS	☒ Shimano Hydraulic Disc Brake Lever
HANDLEBARS	☒ GT Type R flat riser bar, 31.8x640mm
STEM	☒ All new 3D forged GT alloy stem
GRIPS	☒ GT Wings
HEADSET	☒ Integrated 1 1/8" sealed bearing
SADDLE	☒ GT All Terra bio morphic
SEAT POST	☒ GT All Terra two bolt alloy
SEAT CLAMP	☒ GT All Terra cold forged clamp QR



WOMENS » URBAN » SPORT

TRANSEO 4.0 - LADIES



SIZES	☰ S, M, L
COLORS (CODE)	☐ Pearl White, Gloss Gunmetal
FRAME	▧ GT Transeo Triple Triangle 7000 series alloy, smooth welded, and hydroformed (T,T,DT), forged drop-outs, chainstay disc mounts, all utility braze ons
FORK	↑ SR / Suntour NVX-DS HLO 75mm travel, pre-load adjust, Hydraulic Lockout, disc specific, fender mounts
CRANKSET	⊗ Suntour NEX 48/38/28
BOTTOM BRACKET	⊖ Cartridge sealed
PEDALS	⊞ High Impact nylon platform
DERAILLEUR	↗ (F) Shimano FD M191, (R) Shimano Altus RD-M310 8spd
SHIFTERS	⊕ Shimano Altus EF-51 Rapid Fire plus
REAR COGS	▮ Sunrace CSM55 8spd cassette 11-32t
CHAIN	○ KMC Z72
RIMS	○ Jalco JD200 Double Wall Alloy, 32h
TIRES	⊗ 700x35c Innova LandTracker w/puncture protection
HUBS	⇔ (F) All Terra Alloy 32h Disc Specific, (R) All Terra Alloy 32h Frechub Disc Specific

SPOKES	* Stainless steel 14 gauge
NIPPLES	* Brass CP
BRAKES	⊘ Tektro MD-M300 Mechanical disc brake, 160mm rotor F/R
BRAKE LEVERS	☑ Shimano EF-51
HANDLEBARS	~ GT Type R flat riser bar, 31.8x640mm
STEM	⊞ all new 3D forged GT alloy stem
GRIPS	☞ GT Wings
HEADSET	⊗ Integrated 1 1/8" sealed bearing
SADDLE	▷ GT All Terra bio-morphic
SEAT POST	↑ GT All Terra two bolt alloy
SEAT CLAMP	⊖ GT All Terra cold forged clamp QR



BMX



BMX

Whether you're gapping doubles in the dirt or stalling on every ledge you can find, GT's Freestyle lineup has something for you. We're loaded up on chromoly and double walled rims, sealed bearings and pivotal seat posts...Really just about everything you need to dominate your next shred session.



BMX

DLSY



SIZES	≡	20" Wheel, 20" Top Tube
COLORS (CODE)	☐	Translucent Gloss Black
FRAME	∇	CR-MO Big Tubes (T/T, D/T), DT Gusset, MID BB, Seat Stay Mounted U-Brake, Integrated 1 1/8" H/T w/Removable Rotor Tabs, Odyssey Springfield Brake Compatible
FORK	↑	CR-MO Steerer, 31.8- 28.6mm Tapered O.D. Blades, 3/8" Axle Dropouts
CRANK	⊗	GT Tubular CR-MO 3Pc., 170mm Arms, Cold Forged CR-MO 19mm x 8T Spline Spindle, LHD 5mm GT 25T AL Chain Wheel GT Ring, ED Bolts Copper
BOTTOM BRACKET	⇔	MID Sealed Bearing
PEDALS	⊕	GT Low Profile Mid Size Platform Design, PP Material, Boron Axle
FREEWHEEL	⚙	9T 1PC LHD Driver
CHAIN	○	KMC Z410
RIMS	○	Aluminum Single Wall, 36 Hole
TIRES	⋯	20" x 2.3" F/R GT Pool Street Tread
HUBS	⇔	(F) Alloy Body, Loose Ball 3/8" Axle, 36 Hole, (R) Alloy 5PC Sealed Bearings, CR-MO Axle, LHD 9T Cassette 36 Hole

SPOKES	✱	14G Stainless
NIPPLES	✱	Brass
BRAKES	⌘	Odyssey Springfield Brake
BRAKE LEVERS	☞	Promax Aluminium
HANDLEBARS	~	H: 8.25" (210mm), W: 29" (735mm), w/19mm Crossbar, 3° Up, 11° Back
STEM	⊞	GT Invert 100% Cold Forged 1 1/8" Machined GT Logo On Front Cap, 50mm Ext, ED Bolts Copper
GRIPS	☞	BMX Flanged 147mm Single Compound, w/Debossed GT Removable Plug
HEADSET	⊗	1 1/8" Integrated Design, 45 x 45 Degree Sealed Bearings
SADDLE	▷	GT Embroiderd Pivotal Padded, DLSY Design
SEAT POST	↑	Pivotal 25.4 x 150mm
SEAT CLAMP	⊗	28.6mm Single Bolt



BMX

PERFORMER 20"



SIZES	≡	20" Wheel, 20.5" Top Tube
COLORS (CODE)	☞	GTghini Gloss Dark Grey, Matte Red Wine
FRAME	∇	Hi-Ten Steel Tubes, DT Gusset, MID BB, Seat Stay Mounted U-Brake, Integrated 1-1/8" H/T w/Removable Rotor Tabs, Odyssey Springfield Brake Compatible
FORK	↑	Hi-Ten 31.8- 28.6mm Tapered O.D. Blades, 3/8" Axle Dropouts
CRANK	⊗	GT Tubular CR-MO 3PC., 175mm Arms, Cold Forged CR-MO 19mm x 8T Spline Spindle, GT 25T Steel Chain Ring, ED Bolts Red, Gold
BOTTOM BRACKET	⇔	MID Sealed Bearing
PEDALS	⊕	GT Low Profile Mid Size Platform Design, PP Material, Boron Axle
FREEWHEEL	⌘	9T 1PC Driver
CHAIN	○	KMC Z410
RIMS	○	Aluminum Single Wall, 36 Hole
TIRES	⋯	20" x 2.3" F/R GT Pool
HUBS	⇔	(F) Alloy Body, Loose Ball 3/8" Heat Treated Axle, 36 Hole, (R) Alloy 1 Sealed Bearing 14mm 9T Cassette 36 Hole

SPOKES	✱	14G Stainless
NIPPLES	✱	Brass
BRAKES	⌘	Odyssey Springfield Brake
BRAKE LEVERS	☞	Promax Aluminium
HANDLEBARS	~	H: 8.25" (210mm), W: 28.5" (724mm), w/19mm Crossbar, 3° Up, 11° Back
STEM	⊕	GT Invert Top Load Design w/Cold Forged Clamp, 50mm Ext, ED Bolts Red, Gold
GRIPS	☞	GT Wings Flanged 130mm Single Compound
HEADSET	⊗	1 1/8" Integrated Design, 45 x 45 Degree Sealed Bearings
SADDLE	☞	GT Embossed Leather Pivotal Padded
SEAT POST	↑	Pivotal 25.4 x 150mm
SEAT CLAMP	⊗	28.6mm Single Bolt



BMX

SLAMMER



SIZES	≡	20" Wheel, 20" Top Tube
COLORS (CODE)	☞	Gloss Turquoise Laser, Matte Plum
FRAME	∇	Hi-Ten Steel Tubes, DT Gusset, MID BB, Seat Stay Mounted U-Brake, External 1 1/8" H/T, Affix Integrated Cable Rotor System, Odyssey Springfield Brake Compatible
FORK	↑	Hi-Ten 31.8- 28.6mm Tapered O.D. Blades, 3/8" Axle Dropouts. Affix Integrated Cable Rotor System
CRANK	⊖	GT Tubular CR-MO 3PC., 175mm Arms, Cold Forged CR-MO 19mm x 8T Spline Spindle, GT 25T Steel Chain Ring
BOTTOM BRACKET	⇔	MID Sealed Bearing
PEDALS	⊕	GT Low Profile Mid Size Platform Design, PP Material, Boron Axle
FREEWHEEL	⚙	9T 1PC Driver
CHAIN	○	KMC Z410
RIMS	○	Aluminum Single Wall, 36 Hole
TIRES	⋯	20" x 2.3" F/R GT Air Bags
HUBS	⇔	(F) Steel Body, Loose Ball 3/8" Heat Treated Axle, 36 Hole, (R) Alloy 1 Sealed Bearing 14mm 9T Cassette 36 Hole

SPOKES	✱	14G Stainless
NIPPLES	✱	Brass
BRAKES	☞	Aluminum U-Brake
BRAKE LEVERS	☞	Alloy
HANDLEBARS	~	H: 8" (203mm), W: 27.5" (700mm), w/19mm Crossbar, 2° Up, 10° Back
STEM	☞	GT Invert Top Load Design w/Cold Forged Clamp, 40mm Ext
GRIPS	☞	GT Wings Flanged 130mm Single Compound
HEADSET	⊗	Affix Compatible 1 1/8" Threadless, Steel
SADDLE	☞	GT Embroidered Integrated Saddle w/Post
SEAT POST	↑	Alloy 25.4 x 200mm
SEAT CLAMP	⊖	28.6mm Single Bolt
EXTRAS	⚡	Affix Internal Rotor Cable System





SIZES	≡	20" Wheel, 19.5" Top Tube
COLORS (CODE)	☐	Matte Mint, Gloss Black
FRAME	∇	Hi-Ten Steel Tubes, DT Gusset, American BB, Seat Stay Mounted U-Brake, External 1 1/8" H/T, Odyssey Springfield Brake Compatible
FORK	↑	Hi-Ten 31.8- 28.6mm Tapered O.D. Blades, 3/8" Axle Dropouts
CRANK	⊕	GT Tubular CR-MO 3PC., 165mm Arms, Cold Forged CR-MO 19mm x 8T Spline Spindle, GT 25T Steel Chain Ring
BOTTOM BRACKET	⇌	American Loose Ball Bearing
PEDALS	⊕	GT Low Profile Mid Size Platform Design, PP Material, Boron Axle
FREEWHEEL	⚙	9T Cassette
CHAIN	○	KMC Z410
RIMS	○	Aluminum Single Wall, 36 Hole
TIRES	⋯	20" x 2.1" F/R GT Air Bags
HUBS	⇌	(F) Steel Body, Loose Ball 3/8" Heat Treated Axle, 36 Hole, (R) Alloy 1 Sealed Bearing 14mm 9T Cassette 36 Hole

SPOKES	✱	14G Stainless
NIPPLES	✱	Brass
BRAKES	∩	Aluminum U-Brake
BRAKE LEVERS	∩	Alloy
HANDLEBARS	~	H: 8" (203mm), W: 27.5" (700mm), w/19mm Crossbar, 2° Up, 10° Back
STEM	⊕	GT Invert Top Load Design w/Cold Forged Clamp, 40mm Ext
GRIPS	☞	GT Wings Flanged 130mm Single Compound
HEADSET	⊕	1 1/8" Threadless, Steel
SADDLE	▷	GT Embossed Leather Railed Saddle
SEAT POST	↑	Steel 25.4 x 200mm
SEAT CLAMP	⊕	28.6mm Single Bolt





KIDS



AGGRESSOR 24"



SIZES	☰	XXS
COLORS (CODE)	☑	Gloss Graphite, Gloss Black
FRAME	☒	24" 6061-T6 Aluminum Triple Triangle™ Frame, w/Replaceable Deraileur Hanger, and 1 1/8" Head Tube
FORK	☒	SR Suntour M3010-A-w/50mm Travel, 24", QR
REAR SHOCK	☒	N/A
CHAIN DEVICE	☑	N/A
CRANKSET	☒	Forged Alloy 42/34/24T, 160mm
BOTTOM BRACKET	☒	Cartridge Sealed
PEDALS	☒	GT Slim Line Flat Pedal
DERAILLEUR	☒	(F) Shimano Tourney, (R) Shimano Tourney TX55
SHIFTERS	☒	Shimano Revo Twist Shifters For Small Hands, SL-RS45
REAR COGS	☒	Sunrace 7-Speed, 14-34T F/W
CHAIN	☒	KMC Z51
RIMS	☒	Alex Ace24, Double Wall, W/ CNC Sidewall, 32H
TIRES	☒	GT Wing 24 x 2.1" F/R
HUBS	☒	(F) Alloy QR, (R) Alloy Freewheel QR

SPOKES	☒	14G Stainless
NIPPLES	☒	Brass
BRAKES	☒	Linear Pull
BRAKE LEVERS	☒	Promax Two Finger Linear Pull
HANDLEBARS	☒	MTB Riser Bar
STEM	☒	Ahead
GRIPS	☒	GT Dual Density w/ Waffle
HEADSET	☒	1 1/8" Ahead
SADDLE	☒	GT MTB Saddle
SEAT POST	☒	Alloy Micro Adjust
SEAT CLAMP	☒	Alloy QR



**AGGRESSOR 20"**

SIZES	☐	XXS
COLORS (CODE)	☐	Gloss Red, Gloss Black
FRAME	☐	20" 6061-T6 Aluminum Triple Triangle™ Frame, w/1 1/8" Head Tube
FORK	☐	Full Hi-Ten w/V-Brake Mounts
CRANKSET	☐	Prowheel, 36T
BOTTOM BRACKET	☐	Cartridge Sealed
PEDALS	☐	GT Slim Line Flat Pedal
DERAILLEUR	☐	(R) Shimano Tourney TX35
SHIFTERS	☐	Shimano Revo Twist Shifter for Small Hands, SL-RS36 (Right Side Only)
REAR COGS	☐	Shimano Hyperglide 7-Speed, 14-28T F/W
CHAIN	☐	KMC Z50
RIMS	☐	Alex DM18 Double Wall, w/CNC Sidewall, 32H
TIRES	☐	All Terrain 20" x 2.0" F/R
HUBS	☐	(F) Alloy QR, (R) Alloy Freewheel QR

SPOKES	☐	14G Stainless
NIPPLES	☐	Brass
BRAKES	☐	Linear Pull
BRAKE LEVERS	☐	Tektro 3-Finger
HANDLEBARS	☐	MTB Riser Bar
BRAKE LEVERS	☐	Promax Two Finger Linear Pull
HANDLEBARS	☐	MTB Riser Bar
STEM	☐	Alloy Ahead
GRIPS	☐	GT MTB
HEADSET	☐	1 1/8" Ahead
SADDLE	☐	GT MTB
SEAT POST	☐	Alloy Micro Adjust
SEAT CLAMP	☐	Alloy QR





LAGUNA 24"



SIZES	☐	XXS
COLORS (CODE)	☑	Purple Haze, Pearl White
FRAME	▽	24" 6061-T6 Aluminum Step Thru Frame, w/Replaceable Deraillieur Hanger and 1 1/8" Head Tube
FORK	†	SR Suntour M3010-Al-w/50mm Travel, 24", QR
REAR SHOCK	⊞	Forged Alloy 42/34/24T, 160mm
CHAIN DEVICE	☞	Cartridge Sealed
CRANKSET	⊕	GT Slim Line Flat Pedal
BOTTOM BRACKET	⊞	(F) Shimano Tourney, (R) Shimano Tourney TX55
PEDALS	⊞	Microshift 3 x 7 Speed Twist Shifter w/Indicator
DERAILLEUR	↗	Sunrace 7-Speed, 14-34T F/W
SHIFTERS	⊕	KMC Z51
REAR COGS	▶	Alex Ace24, Double Wall, w/CNC Sidewall, 32H
CHAIN	○	All Terrain 24" x 1.95" F/R
RIMS	○	(F) Alloy QR, (R) Alloy Freewheel QR
TIRES	⋯	All Terrain 24X1.95"
HUBS	⇄	(F) Alloy QR, (R) Alloy Freewheel QR

SPOKES	✱	14G Stainless
NIPPLES	✱	Brass
BRAKES	⌘	Linear Pull F/R
BRAKE LEVERS	☞	Promax Two Finger Linear Pull
HANDLEBARS	~	MTB Riser Bar
STEM	⊞	Alloy Ahead
GRIPS	☞	GT Wing Dual Density
HEADSET	⊕	1 1/8" Ahead
SADDLE	▷	GT MTB
SEAT POST	†	Alloy Micro Adjust
SEAT CLAMP	⊕	Alloy QR



LAGUNA 20"



SIZES	☐	XXS
COLORS (CODE)	☐	Gloss Silve
FRAME	☐	20" 6061-T6 Aluminum Triple Triangle™ Frame, w/1 1/8" Head Tube
FORK	☐	Full Hi-Ten w/V-Brake Mounts
CRANKSET	☐	Prowheel, 36T
BOTTOM BRACKET	☐	Cartridge Sealed
PEDALS	☐	Jr. BMX Design, Resin
DERAILLEUR	☐	(R) Shimano Tourney TX35
SHIFTERS	☐	Shimano Revo Twist Shifter for Small Hands, SL-RS36 (Right Side Only)
REAR COGS	☐	Shimano Hyperglide 7-Speed, 14-28T F/W
CHAIN	☐	KMC Z50
RIMS	☐	Alex DM18 Double Wall, w/CNC Sidewall, 32H
TIRES	☐	All Terrain 20" x 2.0" F/R
HUBS	☐	(F) Alloy QR, (R) Alloy Freewheel QR

SPOKES	☐	14G Stainless
NIPPLES	☐	Brass
BRAKES	☐	Linear Pull
BRAKE LEVERS	☐	Tektro 3-Finger
HANDLEBARS	☐	MTB Riser Bar
STEM	☐	Alloy Ahead
GRIPS	☐	GT MTB
HEADSET	☐	1 1/8" Ahead
SADDLE	☐	GT MTB
SEAT POST	☐	Alloy Micro Adjust
SEAT CLAMP	☐	Alloy QR

**LAGUNA 16"**

SIZES	≡	16" Wheel, 15.5" Top Tube
COLORS (CODE)	☐	Black
FRAME	△	GT Triple Triangle Styling, Hi-Ten Steel, American BB
FORK	∩	GT BMX Design, 1-1/8" Steer, 1" Blades
CRANK	⊗	Forged One-Piece Type, 92mm/GT Steel, 28T
BOTTOM BRACKET	⇄	Steel, Ball Type
PEDALS	⊞	Jr. BMX Design, Resin
FREEWHEEL	⊕	18T Coaster
CHAIN	∪	KMC Z410
RIMS	○	Alloy, 28 Hole
TIRES	∞	GT Wing Design, 16" x 2.25" F/R
HUBS	⇄	(F) Steel, 28 Hole, 3/8" Axle, (R) Steel, 28 Hole, Coaster

SPOKES	✱	14G
NIPPLES	✱	Brass
BRAKES	∩	(R) Coaster
BRAKE LEVERS	∩	Alloy/Resin
HANDLEBARS	~	AL 3" Rise
STEM	∩	Ahead Style 30mm Reach
GRIPS	∩	105mm Closed End
SADDLE	∩	GT Padded, 7mm Rails
SEAT POST		Steel, 22.2mm, OD
SEAT CLAMP	⊗	Alloy, Single Bolt
EXTRAS	∩	Training Wheels



LAGUNA 12"



SIZES	≡	12" Wheel, 12.5" Top Tube
COLORS (CODE)	☐	White Sparkle Gloss
FRAME	△	GT Triple Triangle Styling, Hi-Ten Steel, American BB
FORK	∩	GT BMX Design, 1" Threadless Steer, 1" Blades
CRANK	⊗	Forged One-Piece Type, 76mm/GT Steel, 28T
BOTTOM BRACKET	⇄	Steel, Ball Type
PEDALS	⊞	Jr. BMX Design, Resin
FREEWHEEL	⊕	18T Coaster
CHAIN	∪	KMC Z410
RIMS	○	Alloy, 16 Hole
TIRES	∞	GT Wing Design, 12" x 2.25" F/R
HUBS	⇄	(F) Steel, 16 Hole, 3/8" Axle, (R) Steel, 16 Hole, Coaster

SPOKES	✱	14G
NIPPLES	✱	Brass
BRAKES	∩	(R) Coaster
BRAKE LEVERS	∩	Alloy/Resin
HANDLEBARS	~	AL 3" Rise
STEM	⊞	4-Bolt Alloy Top, Steel Quill
GRIPS	∩	105mm Closed End
HEADSET	⊗	Steel, 1"
GRIPS	∩	GT Padded, 7mm Rails
HEADSET	⊗	Padded Unified w/Integrated Alloy Seat Post
SADDLE	∩	GT Padded, 7mm Rails
SEAT POST	∩	Padded Unified w/Integrated Alloy Seat Post
SEAT CLAMP	⊗	Alloy 22-2, Integrated w/Seat
EXTRAS	∩	Training Wheels



GEOMETRY



GEOMETRY

SIZE	D SEAT TUBE LENGTH mm	C HORIZONTAL TOP TUBE LENGTH mm	G STAND OVER HEIGHT mm	A HEAD ANGLE DEGREES	B SEAT ANGLE DEGREES	E CHAIN STAY LENGTH mm	H HEAD TUBE LENGTH mm	K BOTTOM BRACKET HEIGHT mm	J FORK OFFSET (RAKE) mm	F WHEEL BASE mm	L BB DROP mm	M FC mm
------	-----------------------------------	---	------------------------------------	-------------------------------	-------------------------------	------------------------------------	-----------------------------------	--	-------------------------------------	--------------------------	-----------------------	---------------

MOUNTAIN / GRAVITY

FURY WORLD CUP / TEAM / EXPERT / ELITE / FRAME	XS	440	566	759	63	73	442	125	351	52	1191	3	749
	S	450	592	759	63	73	442	125	351	52	1217	3	775
	M	460	618	759	63	73	442	125	351	52	1243	3	801
	L	470	644	759	63	73	442	125	351	52	1269	3	827

MOUNTAIN / ENDURO

SANCTION PRO / EXPERT / FRAME	S	450	575	743	66	74.5	439	105	345	44	1157	9	718
	M	470	602	744	66	74.5	439	115	345	44	1186	9	747
	L	485	630	744	66	74.5	439	125	345	44	1215	9	777
	XL	510	657	745	66	74.5	439	135	345	44	1244	9	805

MOUNTAIN / ALL MOUNTAIN

FORCE X CARBON PRO / EXPERT / FRAME	S	425	565	751	67.2	73.8	443	98	348	43	1127	9	684
	M	455	599	763	67.2	73.8	443	114	348	43	1162	9	719
	L	480	627	770	67.2	73.8	443	130	348	43	1192	9	749
	XL	505	656	795	67.2	73.8	443	147	348	43	1223	9	780
FORCE X EXPERT / SPORT	S	425	567	755	66.7	73.3	443	98	352	43	1131	5	688
	M	455	600	766	66.7	73.3	443	114	352	43	1166	5	723
	L	480	629	778	66.7	73.3	443	130	352	43	1197	5	754
	XL	505	657	798	66.7	73.3	443	147	352	43	1229	5	784

SIZE	A ACTUAL TOP TUBE LENGTH INCH	B RIDER AREA INCH	C CHAINSTAY LENGTH INCH	D FRONT CENTER INCH	E WHEEL BASE DEGREES	F SEAT TUBE LENGTH DEGREES	G BB DROP (NEG. IS UP) INCH	H BOTTOM BRACKET HEIGHT INCH	I AXLE TO CROWN INCH	J FORK OFFSET (RAKE) INCH	K HEAD ANGLE DEGREES	L SEAT ANGLE DEGREES	M HEAD TUBE LENGTH INCH	N SEAT POST DIAM.
------	---	----------------------------	----------------------------------	------------------------------	-------------------------------	-------------------------------------	--------------------------------------	--	-------------------------------	---------------------------------------	-------------------------------	-------------------------------	-------------------------------------	----------------------------

MOUNTAIN / MTBMX

LA BOMBA 1.0 / 2.0	L	22.6	27.6	15.9	26.6	42.4	13	1	12.3	482	1.6	68.5	73.5	4.3	27.2
RUCKUS DJ ZERO	S	21	26.6	15.7	24.8	40.4	12.8	1.2	12.2	18.9	1.8	68	72	4.7	27.2
	M	22	27.2	15.7	26.0	41.6	12.8	1.2	12.2	18.9	1.8	68	72	4.7	27.2
	L	23	27.9	15.7	27.0	42.7	12.8	1.2	12.2	18.9	1.8	68	72	4.7	27.2
RUCKUS DJ	M	22	25.7	16.3	24.4	40.7	13	1	12.4	15.6	1.2	71	72	4	27.2
	L	23	26.4	16.3	25.5	41.8	13	1	12.4	15.6	1.2	71	72	4	27.2

SIZE	D SEAT TUBE LENGTH mm	C HORIZONTAL TOP TUBE LENGTH mm	G STAND OVER HEIGHT mm	A HEAD ANGLE DEGREES	B SEAT ANGLE DEGREES	E CHAIN STAY LENGTH mm	H HEAD TUBE LENGTH mm	K BOTTOM BRACKET HEIGHT mm	J FORK OFFSET (RAKE) mm	F WHEEL BASE mm	L BB DROP mm	M FC mm
------	-----------------------------------	---	------------------------------------	-------------------------------	-------------------------------	------------------------------------	-----------------------------------	--	-------------------------------------	--------------------------	-----------------------	---------------

BUMP 26"	SM	330	546.1	719	69	73	407	100	304	40	1026	35	628
BUMP 24"	XS	300	526	685	68	73	375	100	310	40	996	0	620



GEOMETRY

SIZE	D SEAT TUBE LENGTH mm	C HORIZONTAL TOP TUBE LENGTH mm	G STAND OVER HEIGHT mm	A HEAD ANGLE DEGREES	B SEAT ANGLE DEGREES	E CHAIN STAY LENGTH mm	H HEAD TUBE LENGTH mm	K BOTTOM BRACKET HEIGHT mm	J FORK OFFSET (RAKE) mm	F WHEEL BASE mm	L BB DROP mm	M FC mm	
MOUNTAIN / TRAIL / FULL SUSPENSION													
SENSOR CARBON TEAM / PRO / EXPERT / FRAME	S	449	574	742	67.5	73	440	98	339	42	1122	14	682
	M	474	602	762	68.5	73	440	109	339	42	1140	14	700
	L	500	631	782	68.5	73	440	125	339	42	1170	14	730
	XL	526	659	794	68.5	73	440	141	339	42	1200	14	760
SENSOR PRO / EXPERT / ELITE / COMP	XS	390	556	731	68	73.5	440	92	335	42	1094	18	655
	S	406	572	737	68.5	73.5	440	92	335	42	1105	18	666
	M	426	601	724	68.5	73.5	440	108	335	42	1135	18	696
	L	476	629	751	68.5	73.5	440	124	335	42	1165	18	726
	XL	527	658	793	68.5	73.5	440	140	335	42	1195	18	756
SENSOR X PRO / EXPERT	S	406	576	745	66.3	72.3	440	92	344	42	1127	9	687
	M	426	604	732	67.3	72.3	440	108	344	42	1145	9	705
	L	476	633	759	67.3	72.3	440	124	344	42	1175	9	735
MOUNTAIN / TRAIL / HARDTAIL													
KARAKORAM EXPERT / ELITE / COMP / SPORT	S	420	584	734	70.5	73.5	445	110	315	45	1087	58	649
	M	471	603	772	71	73	445	110	315	45	1095	58	656
	L	507	623	802	71	73	445	110	315	45	1115	58	676
	XL	545	642	833	71	72.5	445	120	315	45	1128	58	689
AVALANCHE EXPERT / ELITE / COMP / SPORT	XS	355	569	708	69.5	72.7	435	90	312	42	1066	45	635
	S	380	585	724	69.5	72.7	435	90	312	42	1082	45	651
	M	430	610	756	69.5	72.7	435	92	312	42	1106	45	675
	L	485	683	797	69.5	72.7	435	108	312	42	1135	45	704
	XL	540	667	836	69.5	72.7	435	124	312	42	1166	45	734
MOUNTAIN / XC													
HELION CARBON TEAM / PRO / EXPERT / FRAME	S	460	579	824	69.5	70.5	438	90	325	42	1062	26	625
	M	460	606	826	69.5	70.5	438	103	325	42	1090	26	653
	L	490	634	849	69.5	70.5	438	119	325	42	1118	26	681
	XL	520	664	873	69.5	70.5	438	135	325	42	1148	26	711
HELION PRO / EXPERT / ELITE / COMP	XS	460	553	785	69.1	70.5	438	90	325	42	1076	26	639
	S	460	579	785	69.5	70.5	438	90	325	42	1062	26	625
	M	460	606	785	69.5	70.5	438	103	325	42	1090	26	653
	L	490	634	807	69.5	70.5	438	119	325	42	1118	26	681
	XL	520	664	830	69.5	70.5	438	135	325	42	1148	26	711
ZASKAR CARBON 9R LTD / PRO / EXPERT / ELITE	S	465	571	758	71	74.5	445	110	307	43	1045	65	608
	M	475	604	767	72	73.5	445	110	307	43	1073	65	636
	L	512	629	797	72	73.5	445	120	307	43	1098	65	661
	XL	550	645	828	72	73	445	130	307	43	1113	65	676
ZASKAR LE EXPERT / ELITE / COMP / SPORT	XS	355	569	708	69.5	72.7	435	90	312	42	1066	45	635
	S	380	585	724	69.5	72.7	435	90	312	42	1082	45	651
	M	430	610	756	69.5	72.7	435	90	312	42	1106	45	675
	L	510	638	797	69.5	72.7	435	90	312	42	1135	45	704
	XL	485	667	836	69.5	72.7	435	90	312	42	1166	45	734



GEOMETRY

		D	C	G	A	B	E	H	K	J	F	L	M
	SIZE	SEAT TUBE LENGTH	HORIZONTAL TOP TUBE LENGTH	STAND OVER HEIGHT	HEAD ANGLE	SEAT ANGLE	CHAIN STAY LENGTH	HEAD TUBE LENGTH	BOTTOM BRACKET HEIGHT	FORK OFFSET (RAKE)	WHEEL BASE	BB DROP	FC
		mm	mm	mm	DEGREES	DEGREES	mm	mm	mm	mm	mm	mm	mm
MOUNTAIN / RECREATIONAL HARDTAIL													
TIMBERLINE EXPERT / COMP	S	420	571	734	71	74	445	110	305	46	1061	65	623
	M	470	605	767	72	74	445	110	305	46	1106	65	653
	L	507	629	799	72	73	445	120	305	46	1110	65	669
	XL	545	645	828	72	73	445	130	305	46	1122	65	685
AGGRESSOR EXPERT / COMP / SPORT	XS	355	569	727	69.5	72.7	435	90	312	42	1065	45	634
	S	380	588	727	69.5	72.7	435	100	312	42	1085	45	654
	M	430	615	762	69.5	72.7	435	110	312	42	1113	45	681
	L	485	644	804	69.5	72.7	435	130	312	42	1143	45	711
	XL	540	675	845	69.5	72.7	435	150	312	42	1175	35	743
AGGRESSOR XS 26"	XS	355	568	694	70.5	72.7	420	110	303	40	1040	35	5623

MOUNTAIN / RECREATIONAL HARDTAIL													
PALOMAR (TRADITIONAL)	S	416	546	693	71	73.5	420	115	298	41	1020	35	603
	M	466	577	735	71	73.5	420	130	298	41	1051	35	634
	L	505	595	768	71	73.5	420	145	298	41	1070	35	653
	XL	542	618	799	71	73.5	420	160	298	41	1094	35	677

		D	C	O	P	G	A	B	E	H	K	J	F	L	M
	SIZE	SEAT TUBE LENGTH	HORIZONTAL TOP TUBE LENGTH	STACK	REACH	STAND OVER HEIGHT	HEAD ANGLE	SEAT ANGLE	CHAIN STAY LENGTH	HEAD TUBE LENGTH	BOTTOM BRACKET HEIGHT	FORK OFFSET (RAKE)	WHEEL BASE	BB DROP	FC
		mm	mm	mm	mm	mm	DEGREES	DEGREES	mm	mm	mm	mm	mm	mm	mm
ROAD / ENDUROROAD															
GRADE CARBON ULTEGRA / 105	XS	495	515	534	367	742	69	74.5	430	121	280	45	1017	70	597
	S	535	535	557	370	772	70	73.5	430	142	280	45	1019	70	599
	M	550	550	578	373	786	70.5	73	430	162	280	45	1025	70	605
	L	560	565	601	381	800	71.5	73	430	182	280	45	1031	70	610
	XL	605	580	627	382	829	72	72.5	430	207	280	45	1035	70	615
	XXL	635	600	650	389	843	72	72	430	231	280	45	1049	70	628
GRADE ALLOY X / 105 / TIAGRA / CLARIS	XS	495	515	534	367	735	69	74.5	430	121	280	45	1017	70	597
	S	535	535	557	370	766	70	73.5	430	142	280	45	1019	70	599
	M	550	550	578	373	782	70.5	73	430	162	280	45	1025	70	605
	L	560	565	601	381	796	71.5	73	430	182	280	45	1031	70	610
	XL	605	580	627	382	835	72	72.5	430	207	280	45	1035	70	615
	XXL	635	600	650	389	861	72	72	430	231	280	45	1049	70	628

ROAD / SPORTIVE															
GTS ELITE / EXPERT / COMP / SPORT	XS	470	522	525	376	710	72	74	420	111	268	45	985	72	575
	S	490	533	536	379	728	72.5	74	420	121	268	45	987	72	577
	M	510	544	555	379	748	72.5	73.5	420	141	268	45	993	72	584
	L	530	559	572	389	769	72.5	73.5	420	161	268	45	1009	70	599
	XL	550	575	593	394	788	73	73	420	181	268	45	1015	70	605
	XXL	570	591	612	398	808	73	72.5	420	201	268	45	1025	70	615



GEOMETRY

		D	C	G	A	B	E	H	K	J	F	L	M
SIZE	SEAT TUBE LENGTH	HORIZONTAL TOP TUBE LENGTH	STAND OVER HEIGHT	HEAD ANGLE DEGREES	SEAT ANGLE DEGREES	CHAIN STAY LENGTH	HEAD TUBE LENGTH	BOTTOM BRACKET HEIGHT	FORK OFFSET (RAKE)	WHEEL BASE	BB DROP	FC	
	mm	mm	mm			mm	mm	mm	mm	mm	mm	mm	
ROAD / PERFORMANCE													
TACHYON EXPERT / ELITE / COMP	XS	450	541	704	70.5	74.5	435	115	275	50	1038	70	613
	S	470	545	724	70.5	74	435	130	275	50	1038	70	612
	M	490	552	748	71.5	73.5	435	160	275	45	1027	70	602
	L	510	565	769	72.5	73	435	180	275	45	1025	70	599
	XL	530	577	789	72.5	73	435	200	275	45	1037	70	612
	XXL	550	592	809	72.5	72	435	220	275	45	1041	70	616
URBAN / CITY													
EIGHTBALL	XXS	480	494	721	71	76.5	425	90	277	43	987	63	570
	XS	500	509	739	72	76	425	100	277	43	990	63	573
	S	520	528	758	73	75	425	110	280	43	994	60	576
	M	540	546	775	73	75	425	120	280	43	1012	60	595
	L	560	567	798	74	74	425	140	285	43	1017	55	598
	XL	580	587	817	74	74	425	160	285	43	1037	55	618
SPEEDBALL	XXS	480	494	721	71	76.5	420	90	277	43	982	63	570
	XS	500	509	739	72	76	420	100	277	43	985	63	573
	S	520	528	758	73	75	420	110	280	43	989	60	576
	M	540	546	775	73	75	420	120	280	43	1007	60	595
	L	560	567	798	74	74	420	140	285	43	1012	55	598
	XL	580	587	817	74	74	420	160	285	43	1032	55	618
MEATBALL	XXS	480	494	721	71	76.5	415	90	277	43	977	63	570
	XS	500	509	739	72	76	415	100	277	43	980	63	573
	S	520	528	758	73	75	415	110	280	43	984	60	576
	M	540	546	775	73	75	415	120	280	43	1002	60	595
	L	560	567	798	74	74	415	140	285	43	1007	55	598
	XL	580	587	817	74	74	415	160	285	43	1027	55	618
TRAFFIC 1.0 / 2.0	XS	370	535	687	71	74	445	135	292	45	1009	59	586
	S	420	550	726	71.5	74	445	150	292	45	1023	59	600
	M	475	565	760	71.5	73.5	445	160	292	45	1051	59	613
	L	525	585	791	72	73.5	445	160	292	45	1069	59	630
	XL	580	590	830	72	73	445	175	292	45	1070	59	632
	XXL	630	605	865	72	73	445	195	292	45	1086	59	647
URBAN / SPORT													
TRANSEO 1.0 / 2.0 / 3.0 / 4.0	XS	406	545	631	70.5	74	450	155	273	50	1055	72	615
	S	448	559	707	71	74	450	155	273	50	1064	72	625
	M	492	572	742	72	74	450	155	273	50	1067	72	627
	L	543	591	780	72	74	450	155	273	50	1086	72	645
	XL	594	598	822	72	73.5	450	175	273	50	1088	72	647
	XXL	644	609	866	72	73.5	450	205	273	50	1100	72	660
WOMENS / MOUNTAIN / RECREATIONAL HARDTAIL													
LAGUNA 26"	S	356	528	560	70	74	436	100	300	45	1035	40	602
	M	407	541	560	70	74	436	115	300	45	1048	40	615
PALOMAR (STEP-THROUGH)	S	356	530	591	70	74	436	100	300	45	1035	40	602
	M	407	542	593	70	74	436	115	300	45	1048	40	615
WOMENS / URBAN													
TRANSEO 2.0 / 3.0 / 4.0 (STEP-THROUGH)	S	388	515	588	70.5	75.5	450	110	273	50	1041	72	601
	M	432	544	588	71	74	450	110	273	50	1049	72	609
	L	483	553	592	71	73.5	450	130	273	50	1053	72	614



GEOMETRY

		A	B	C	D	E	F	G	H	I	J	K	L	M	N
	SIZE	ACTUAL TOP TUBE LENGTH	RIDER AREA	CHAINSTAY LENGTH	FRONT CENTER	WHEEL BASE	SEAT TUBE LENGTH	BB DROP (NEG. IS UP)	BOTTOM BRACKET HEIGHT	AXLE TO CROWN	FORK OFFSET (RAKE)	HEAD ANGLE	SEAT ANGLE	HEAD TUBE LENGTH	SEAT POST
		INCH	INCH	INCH	INCH	DEGREES	DEGREES	INCH	INCH	INCH	INCH	DEGREES	DEGREES	INCH	DIAM.
BMX															
WISE SIGNATURE FRAME	U	21.25	22.9	13.75	23.4	37	9.6	-1.77	12	320	30	75	72.5	4.9	25.4
DLSY SIGNATURE FRAME	U	21	22.6	13.75	23.1	36.7	9.7	-1.77	12	320	30	75	71	4.7	25.4
WISE SIGNATURE	U	21.25	23	13.75	23.4	37	9.3	-1.4	11.6	320	30	75	71	4.7	25.4
DLSY SIGNATURE	U	21	22.8	13.75	23.1	36.4	9.3	-1.4	11.6	320	30	75	71	4.7	25.4
WISE XL	U	20.75	22.6	13.75	23.0	36.1	9.3	-1.4	11.6	320	30	75	71	4.7	25.4
DLSY XL	U	20.5	22.4	13.75	22.3	36	9.3	-1.4	11.6	320	30	75	71	4.7	25.4
WISE	U	20.25	22.1	13.75	22.2	35.8	9.3	-1.4	11.6	320	30	74.5	71	4.5	25.4
DLSY	U	20	21.9	13.75	21.9	35.5	9.3	-1.4	11.6	320	30	74.5	71	4.5	25.4
PERFORMER 20"	U	20.5	22.3	13.75	22.5	36	9.3	-1.4	11.6	320	30	74.5	71	4.5	25.4
PERFORMER 18"	U	18	19.7	13.75	20.1	32	8	-1.5	10.6	300	30	73.5	70	4	25.4
SLAMMER XL	U	20.75	22.4	13.75	22.7	36.3	9.3	-1.4	11.6	320	30	74.5	71	4	25.4
SLAMMER	U	20	21.8	13.75	21.9	35.5	9.3	-1.4	11.6	320	30	74.5	71	4	25.4
AIR	U	19.5	21.5	13.75	21.4	35	9.3	-1.4	11.6	320	30	74.5	71	4	25.4
BMX / RACE															
CARBON SPEED SERIES PRO XXL FRAME & FORK	U	21.5	23.2	14.5	23.9	38.7	9.0	-1.5	11.5	320.0	1.3	74.0	72.0	5.0	27.2
CARBON SPEED SERIES PRO XL FRAME & FORK	U	21.0	22.8	14.5	23.3	37.7	9.0	-1.5	11.5	320.0	1.3	74.0	72.0	5.0	27.2
CARBON SPEED SERIES PRO FRAME & FORK	U	20.5	22.4	14.5	22.8	37.2	9.0	-1.5	11.5	320.0	1.3	74.0	72.0	5.0	27.2
SPEED SERIES PRO XL	U	21.0	22.8	14.5	23.3	37.7	8.2	-1.5	11.5	320.0	1.3	74.0	72.0	5.0	27.2
SPEED SERIES PRO	U	20.5	22.4	14.5	22.8	37.1	8.3	-1.5	11.5	320.0	1.3	74.0	72.0	5.0	27.2
SPEED SERIES PRO 24"	U	21.8	24.5	15.4	23.4	39.3	9.4	0.0	11.7	365.0	1.3	73.0	70.0	5.0	27.2
SPEED SERIES XXXL FRAME ONLY	U	22.0	23.6	15.5	24.4	39.3	8.3	-1.5	11.3	320.0	1.3	74.0	72.0	5.0	27.2
SPEED SERIES XXL FRAME ONLY	U	21.5	23.2	15.0	23.9	38.7	8.3	-1.5	11.3	320.0	1.3	74.0	72.0	5.0	27.2
PRO SERIES PRO XL	U	21	22.9	14.8	23.6	38.3	9.2	-1.5	11.3	320	1.4	74	72	4.7	27.2
PRO SERIES PRO XXL OS	U	21.6	23.7	14.8	23.6	38.5	9.9	-0.8	11.5	330	1.2	74	72	4.7	27.2
PRO SERIES PRO 24"	U	21.8	24.5	15.5	23.6	39.1	10.6	0	11.7	365	1.4	73	72	4.7	27.2
PRO SERIES PRO	U	20.6	22.4	14.3	23.1	37.2	9.2	-1.5	11.3	320	1.4	74	72	4.7	27.2
PRO SERIES EXPERT	U	19.3	20.8	13.6	21.4	35	9.2	-1	11.5	310	1.3	73	70	4	25.4
PRO SERIES JR.	U	18.5	20.2	13.5	20.6	34	9.2	-1	11.3	305	1.3	73	70	4	25.4
PRO SERIES MINI	U	17	19	13	19.2	32.1	7.9	-1	11	305	1.3	72	70	4	25.4
PRO SERIES MICRO 18"	U	16.3	18.1	12.4	18.7	30.9	7.9	-1	9.9	280	1.3	72	71	4	25.4



GEOMETRY

	A	B	C	D	E	F	G	H	I	J	K	L	M	N	
SIZE	ACTUAL TOP TUBE LENGTH	RIDER AREA	CHAINSTAY LENGTH	FRONT CENTER	WHEEL BASE	SEAT TUBE LENGTH	BB DROP (NEG. IS UP)	BOTTOM BRACKET HEIGHT	AXLE TO CROWN	FORK OFFSET (RAKE)	HEAD ANGLE	SEAT ANGLE	HEAD TUBE LENGTH	SEAT POST	
	INCH	INCH	INCH	INCH	DEGREES	DEGREES	INCH	INCH	INCH	INCH	DEGREES	DEGREES	INCH	DIAM.	
BMX / RACE															
POWER SERIES PRO	U	20.6	22.3	14.2	23.1	37.2	9.2	-1.5	11.3	320	1.4	74	72	4	27.2
POWER SERIES 24"	U	21.9	24.4	15.5	23.7	39.3	10.6	0	11.7	365	1.4	73	70	4	27.2
POWER SERIES JUNIOR	U	18.5	20.2	13.5	20.6	34	7.6	-1	11.3	305	1.3	73	70	3.5	25.4
MACH ONE PRO 20"	U	20.5	22.2	14.3	23.1	37.3	9.2	-1.5	11.2	320	1.5	74	72	4	25.4
MACH ONE EXPERT 20"	U	18	20.5	14.1	19.9	34	9.3	0	9.8	310	1.3	73	71	4	25.4
MACH ONE PRO 24"	U	21.8	24.3	15.7	23.8	39.4	10.6	0	11.7	365	1.5	73	70	4	25.4
MACH ONE 16" PUSH	U	15.5	17.9	12	17	29.1	7.9	0	8.1	270	0.9	72	71	3.5	22.2
MACH ONE 12" PUSH	U	12.1	15	14.6	12.6	21.9	9.5	1.4	7.1	210	0.7	73	70	3	22.2

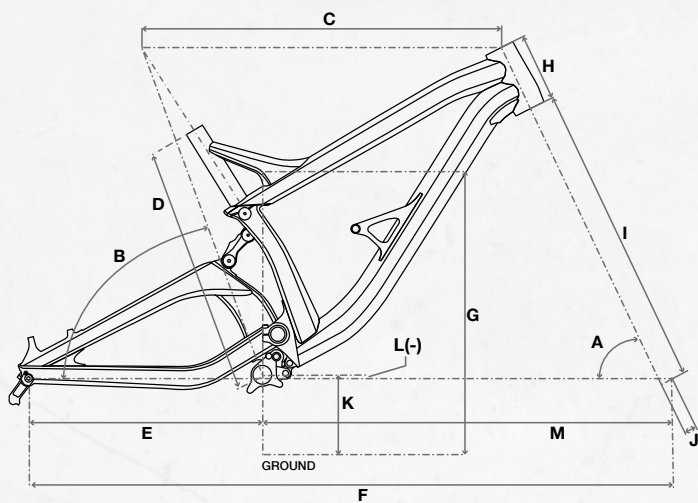
	D	C	G	A	B	E	H	K	J	F	L	M	
SIZE	SEAT TUBE LENGTH	HORIZONTAL TOP TUBE LENGTH	STAND OVER HEIGHT	HEAD ANGLE	SEAT ANGLE	CHAIN STAY LENGTH	HEAD TUBE LENGTH	BOTTOM BRACKET HEIGHT	FORK OFFSET (RAKE)	WHEEL BASE	BB DROP	FC	
	mm	mm	mm	DEGREES	DEGREES	mm	mm	mm	mm	mm	mm	mm	
KIDS / BOYS													
AGGRESSOR 24" BOYS	U	345	510	600	70	73	410	105	282	40	981	18	572
AGGRESSOR 20" BOYS	U	280	483.5	603.9	69.5	71	380	105	254	38	911.9	10	532

KIDS / GIRLS														
	A	B	C	D	E	F	G	H	I	J	K	L	M	N
SIZE	ACTUAL TOP TUBE LENGTH	RIDER AREA	CHAINSTAY LENGTH	FRONT CENTER	WHEEL BASE	SEAT TUBE LENGTH	BB DROP (NEG. IS UP)	BOTTOM BRACKET HEIGHT	AXLE TO CROWN	FORK OFFSET (RAKE)	HEAD ANGLE	SEAT ANGLE	HEAD TUBE LENGTH	SEAT POST
	INCH	INCH	INCH	INCH	DEGREES	DEGREES	INCH	INCH	INCH	INCH	DEGREES	DEGREES	INCH	DIAM.
LAGUNA 24" GIRLS	U	375	523	516	70	73	410	95	275	40	990	25	582	
LAGUNA 20" GIRLS	U	280	483.5	603.9	69.5	71	380	105	254	38	911.9	10	532	
LAGUNA 16" GIRLS	U	218	430	426	72	65.2	310	90	206	23.4	720	0	410	
LAGUNA 12" GIRLS	U	179	339	346	72	65.5	247	90	186	23.3	593	-30	349	

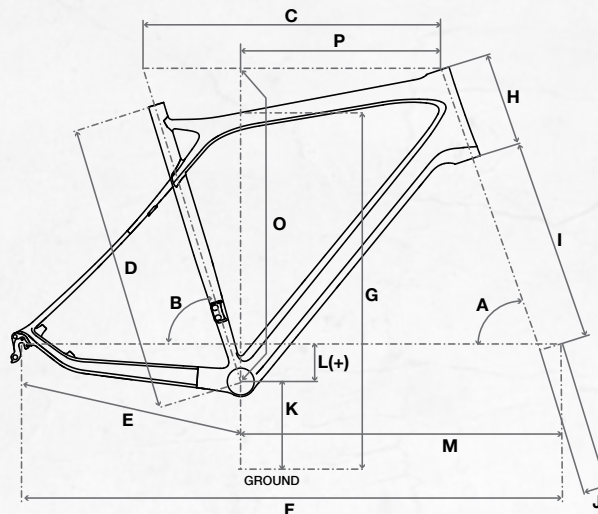
	A	B	C	D	E	F	G	H	I	J	K	L	M	N	
SIZE	ACTUAL TOP TUBE LENGTH	RIDER AREA	CHAINSTAY LENGTH	FRONT CENTER	WHEEL BASE	SEAT TUBE LENGTH	BB DROP (NEG. IS UP)	BOTTOM BRACKET HEIGHT	AXLE TO CROWN	FORK OFFSET (RAKE)	HEAD ANGLE	SEAT ANGLE	HEAD TUBE LENGTH	SEAT POST	
	INCH	INCH	INCH	INCH	DEGREES	DEGREES	INCH	INCH	INCH	INCH	DEGREES	DEGREES	INCH	DIAM.	
DYNO															
DYNO VFR 20"	U	20	21.7	13.8	22.3	36	9.5	-1.8	12	320	1.2	74	72	4	25.4
DYNO VFR 18"	U	18	19.5	12.8	20	32.7	8	-1.5	10.6	300	1.2	73	70	3.5	25.4
DYNO VFR 16"	U	16	17.6	11.8	18.4	30	8	-1.4	9.5	275	1.2	72	71	3.5	25.4
DYNO VERTIGO 20"	U	20	21.7	13.8	22.1	35.7	9.5	-1.8	12	320	1.2	74.5	71.5	4	25.4
DYNO VERTIGO 16"	U	15.6	16.9	12	17.8	29.6	8.3	-1.4	9.5	275	1.3	72	70.0	3	25.4
DYNO VERTIGO 12"	U	12	13.2	10	14.6	24.5	6.9	-1.2	7.3	214	1.2	69	69.0	3	25.4



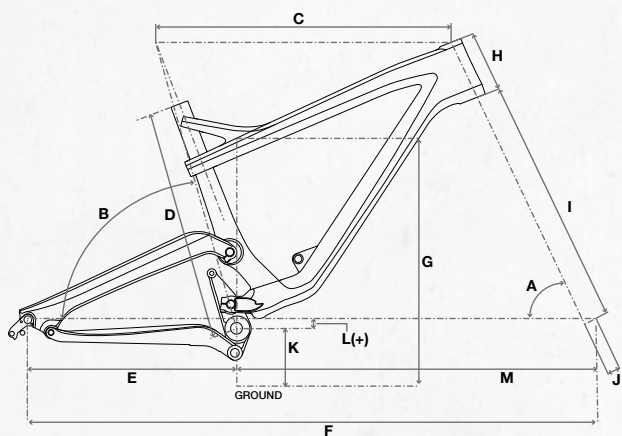
GEOMETRY



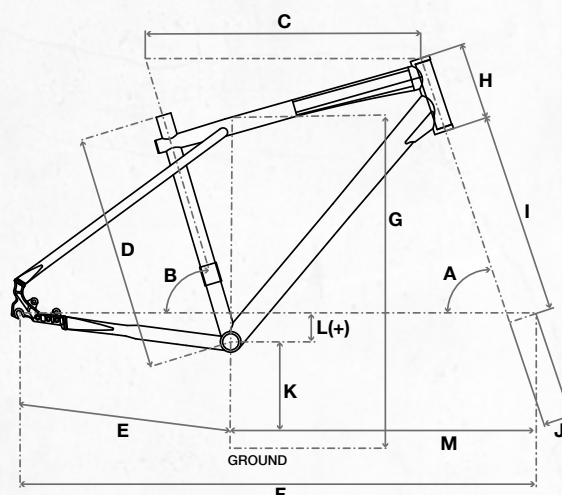
FURY / SANCTION



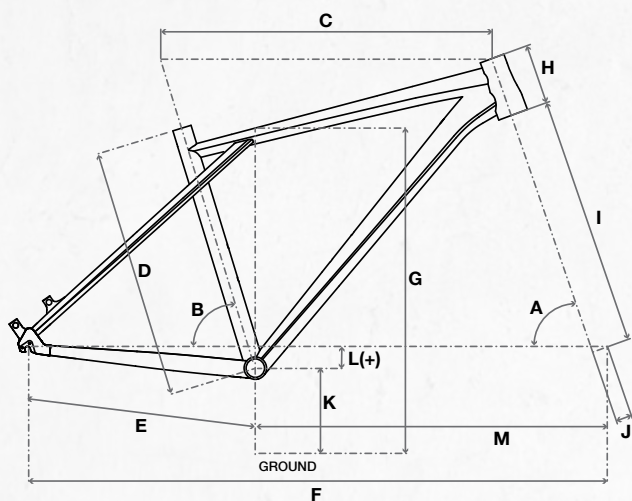
ROAD



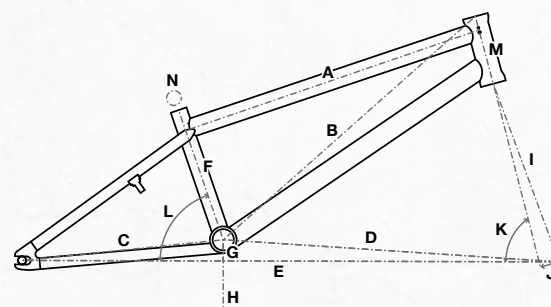
FORCE / SENSOR / HELION



URBAN



**ZASKAR / KARAKORAM / AVALANCHE
AGGRESSOR / BUMP / KIDS**



BMX / MTBMX / DYN0



TEAMS



GT FACTORY RACING



GEE ATHERTON // WORLD CUP DH (GBR)



RACHEL ATHERTON // WORLD CUP DH (GBR)



MARC BEAUMONT // WORLD CUP DH (GBR)



DAN ATHERTON // ENDURO (GBR)



MARTIN MAES // ENDURO (BEL)



TAYLOR VERNON // WORLD CUP DH (GBR)



RONNIE RENNER // FMX (USA)



TYLER McCAUL // SLOPESTYLE / ALL MOUNTAIN (USA)



HANS REY // ADVENTURE (SUI)



KENNY BELAELY // TRAILS / ADVENTURE (BEL)



KYLE STRAIT // SLOPESTYLE / ALL MOUNTAIN (USA)



CECILE RAVANEL // ENDURO (FRA)



AMIR KABANNI // SLOPESTYLE / ALL MOUNTAIN (GER)



RACHEL THROOP // ENDURO (USA)



BRETT METCALFE // MX (AUS)



BENOIT TRELUYER // AUTO RACING (FRA)



CEDRIC RAVANEL // ENDURO (FRA)



ROB WISE // BMX STREET (USA)



JEREMIAH SMITH // BMX STREET / PARK (USA)



DAVE DILLEWAARD // BMX PARK / DIRT (AUS)



BMX FACTORY RACING



MIKE DAY // BMX RACE / MTB ELITE MEN (USA)



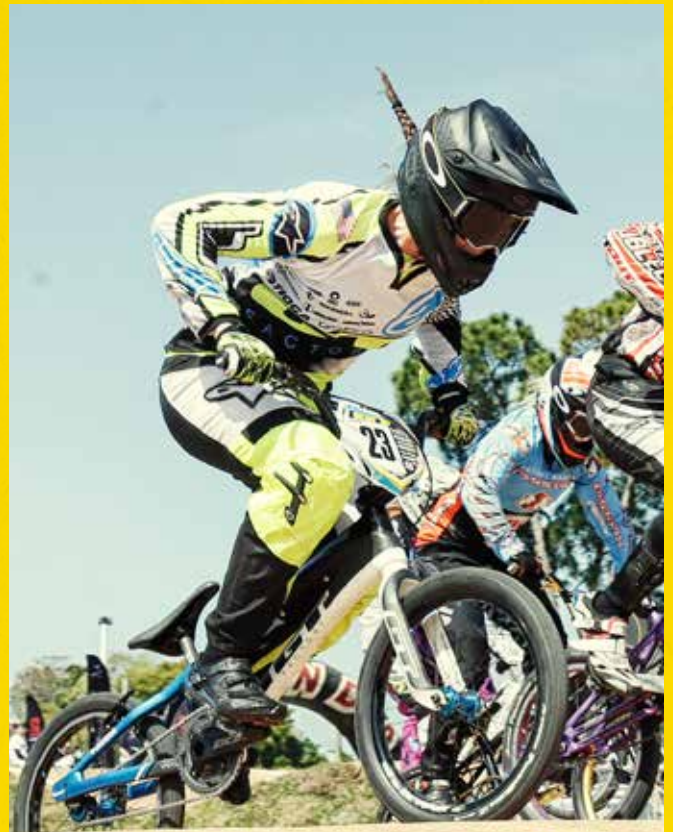
SHENAZE READE // BMX RACE ELITE WOMEN (GBR)



TYLER BROWN // BMX RACE ELITE MEN (USA)

* NOT PICTURED

QUENTIN CALEYRON // SMX RACE ELITE MEN (FRA)



FELICIA STANCIL // BMX RACE ELITE WOMEN (USA)



BMX FACTORY RACING AM SUPPORT



SEAN GAIAN // BMX RACE AMATEUR (USA)



BROOKLYN VANRENSELAAR // BMX RACE AMATEUR (USA)



JONAS HARMON // BMX RACE AMATEUR (USA)



AIDEN OTTEN // BMX RACE AMATEUR (USA)



JORDAN MIRANDA // BMX RACE AMATEUR (USA)



SOPHIA FORESTA // BMX RACE AMATEUR (USA)

* NOT PICTURED

SHAN HATFIELD // BMX RACE AMATEUR (USA)



REGIONAL TEAMS



GREAT TEAMS FROM AROUND THE WORLD KICK ASS ON OUR BIKES...

TEAM NOMADESK // BELGIUM

GT-YELLOWWINGS RACING // GERMANY & NETHERLANDS

GT BICYCLES OPPORTUNITY // CZECH REPUBLIC

GT / PULSE SESSION // FRANCE

ST ETIENNE/GT BMX CLUB // FRANCE

GT BMX AUSTRALIA // AUSTRALIA



CYCLING SPORTS GROUP

© 2014 CYCLING SPORTS GROUP, INC.

© 2014 GT BICYCLES
WWW.GTBICYCLES.COM

1 CANNONDALE WAY
WILTON, CT 06897 USA

