



# CATEYE

## VELO WIRELESS +

### CYCLOCOMPUTER CC-VT210W

#### Owner's Manual

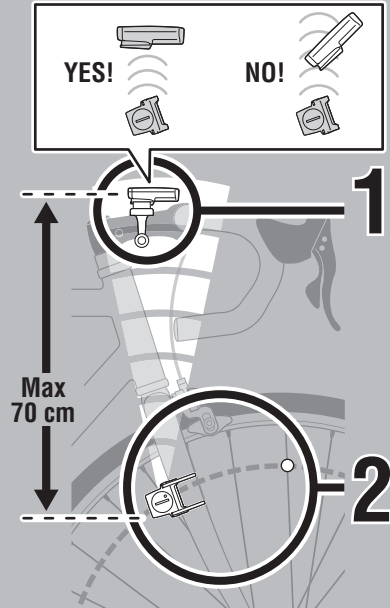
U.S. Pat. Nos. 5236759/5308419/6957926 Pat./Design Pat. Pending  
 Copyright© 2010 CATEYE Co., Ltd.  
 CCVT21W-100210 066600910 2



## INSTALL

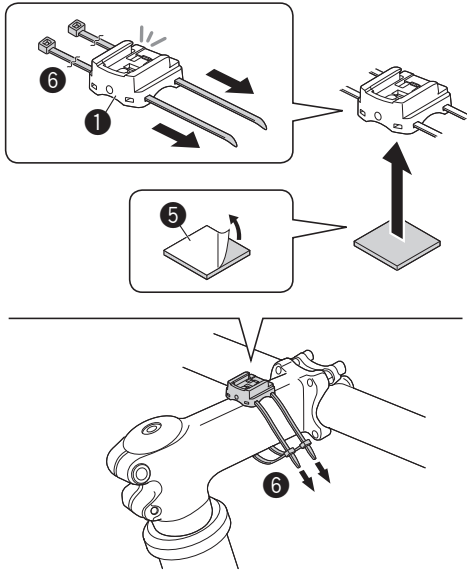


**A**



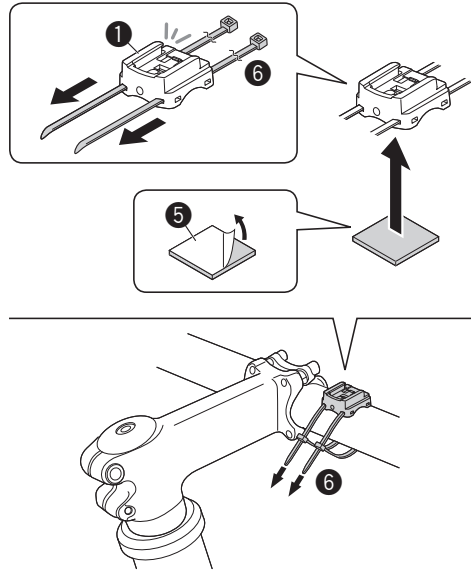
## 1 Bracket

[Stem]

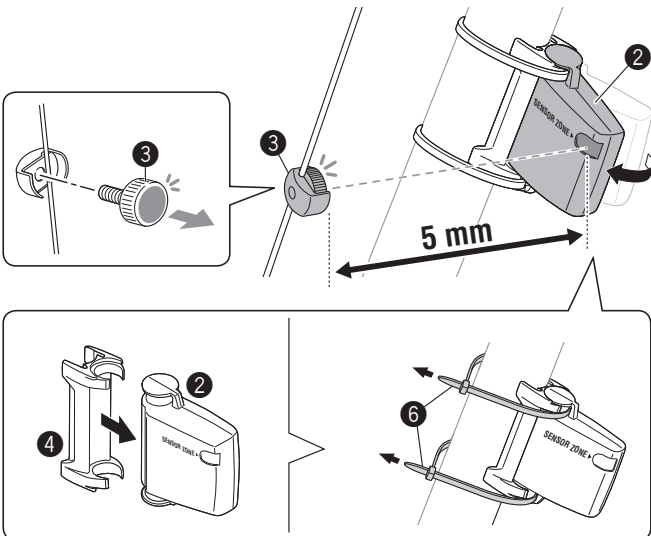


or

[Handlebar]



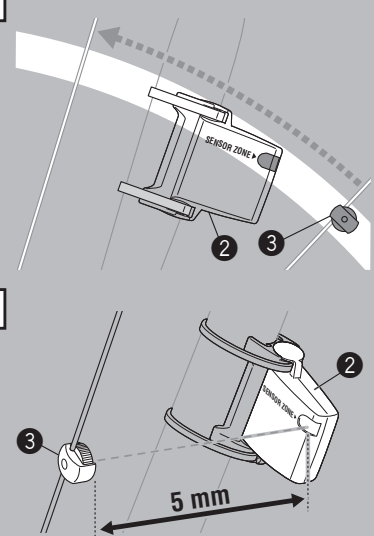
## 2 Sensor/Magnet



**B**



**C**

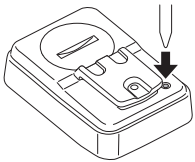


CZ

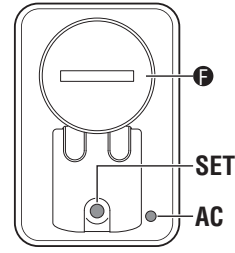
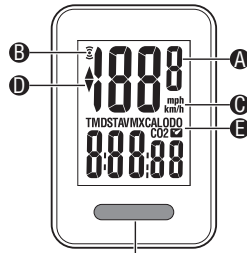
CC-VT210W VELO WIRELESS +

# SETTING

## 1 | All Clear



TM	= 0
DST	= 0
AV	= 0
MX	= 0
CAL	= 0
CO2	= 0
ODO	= 0
<input checked="" type="checkbox"/>	= 0



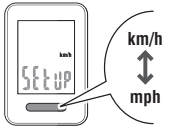
MODE

- A Okamžitá rychlost
- B Symbol signálu ze snímače
- C Jednotka rychlosti km/h mph
- D Porovnání rychlosti ▲▼

- E Vybraný režim
  - F Kryt baterie
- \* Podrobnosti viz „Názvy součástí“.

## 2 | Select km/h or mph

Set: km/h



Register the setting SET

## 3 | Tire Size

[Quick setting size]



Set: 27"

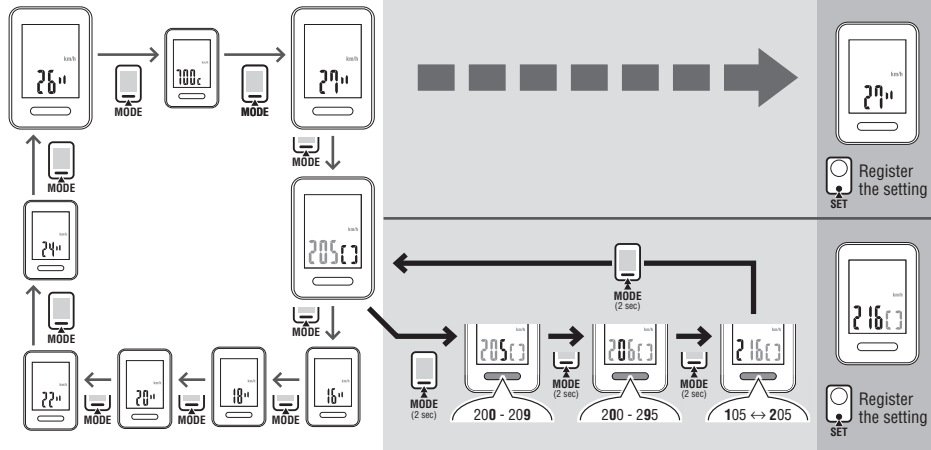
or

[Detailed setting size]



ETRTO	Tire size	L (cm)
28-630	27x1-1/8	216
32-630	27x1-1/4	216
37-630	27x1-3/8	217
18-622	700x18C	207

Set: 216

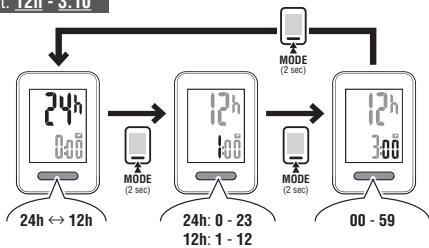


Register the setting SET

Register the setting SET

## 4 | Clock Setting

Set: 12h - 3:10

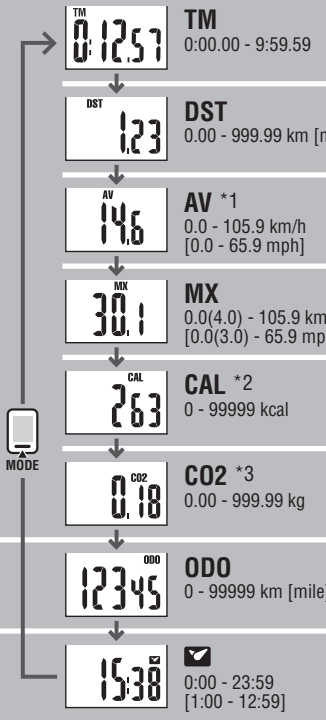


Register the setting (Finish) SET

# OPERATION FLOW

### Current Speed

0.0(4.0) - 105.9 km/h  
[0.0(3.0) - 65.9 mph]



### Data Reset

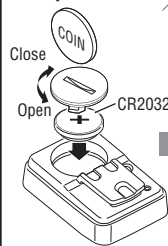


MODE (2 sec)

TM	= 0
DST	= 0
AV	= 0
MX	= 0
CAL	= 0
CO2	= 0

### Battery

#### Computer



SETTING 1.All clear

#### Sensor

