



# GEOMETRY



# GEOMETRY

	D	C	G	A	B	E	H	K	J	F	L	M
SIZE	SEAT TUBE LENGTH	HORIZONTAL TOP TUBE LENGTH	STAND OVER HEIGHT	HEAD ANGLE	SEAT ANGLE	CHAIN STAY LENGTH	HEAD TUBE LENGTH	BOTTOM BRACKET HEIGHT	FORK OFFSET (RAKE)	WHEEL BASE	BB DROP	FC
	mm	mm	mm	DEGREES	DEGREES	mm	mm	mm	mm	mm	mm	mm

## MOUNTAIN / GRAVITY

FURY WORLD CUP / TEAM / EXPERT / ELITE / FRAME	<b>XS</b>	440	566	759	63	73	442	125	351	52	1191	3	749
	<b>S</b>	450	592	759	63	73	442	125	351	52	1217	3	775
	<b>M</b>	460	618	759	63	73	442	125	351	52	1243	3	801
	<b>L</b>	470	644	759	63	73	442	125	351	52	1269	3	827

## MOUNTAIN / ENDURO

SANCTION PRO / EXPERT / FRAME	<b>S</b>	450	575	743	66	74.5	439	105	345	44	1157	9	718
	<b>M</b>	470	602	744	66	74.5	439	115	345	44	1186	9	747
	<b>L</b>	485	630	744	66	74.5	439	125	345	44	1215	9	777
	<b>XL</b>	510	657	745	66	74.5	439	135	345	44	1244	9	805

## MOUNTAIN / ALL MOUNTAIN

FORCE X CARBON PRO / EXPERT / FRAME	<b>S</b>	425	565	751	67.2	73.8	443	98	348	43	1127	9	684
	<b>M</b>	455	599	763	67.2	73.8	443	114	348	43	1162	9	719
	<b>L</b>	480	627	770	67.2	73.8	443	130	348	43	1192	9	749
	<b>XL</b>	505	656	795	67.2	73.8	443	147	348	43	1223	9	780
FORCE X EXPERT / SPORT	<b>S</b>	425	567	755	66.7	73.3	443	98	352	43	1131	5	688
	<b>M</b>	455	600	766	66.7	73.3	443	114	352	43	1166	5	723
	<b>L</b>	480	629	778	66.7	73.3	443	130	352	43	1197	5	754
	<b>XL</b>	505	657	798	66.7	73.3	443	147	352	43	1229	5	784

	A	B	C	D	E	F	G	H	I	J	K	L	M	N
SIZE	ACTUAL TOP TUBE LENGTH	RIDER AREA	CHAINSTAY LENGTH	FRONT CENTER	WHEEL BASE	SEAT TUBE LENGTH	BB DROP (NEG. IS UP)	BOTTOM BRACKET HEIGHT	AXLE TO CROWN	FORK OFFSET (RAKE)	HEAD ANGLE	SEAT ANGLE	HEAD TUBE LENGTH	SEAT POST
	INCH	INCH	INCH	INCH	DEGREES	DEGREES	INCH	INCH	INCH	INCH	DEGREES	DEGREES	INCH	DIAM.

## MOUNTAIN / MTBMX

LA BOMBA 1.0 / 2.0	<b>L</b>	22.6	27.6	15.9	26.6	42.4	13	1	12.3	482	1.6	68.5	73.5	4.3	27.2
RUCKUS DJ ZERO	<b>S</b>	21	26.6	15.7	24.8	40.4	12.8	1.2	12.2	18.9	1.8	68	72	4.7	27.2
	<b>M</b>	22	27.2	15.7	26.0	41.6	12.8	1.2	12.2	18.9	1.8	68	72	4.7	27.2
	<b>L</b>	23	27.9	15.7	27.0	42.7	12.8	1.2	12.2	18.9	1.8	68	72	4.7	27.2
RUCKUS DJ	<b>M</b>	22	25.7	16.3	24.4	40.7	13	1	12.4	15.6	1.2	71	72	4	27.2
	<b>L</b>	23	26.4	16.3	25.5	41.8	13	1	12.4	15.6	1.2	71	72	4	27.2

	D	C	G	A	B	E	H	K	J	F	L	M
SIZE	SEAT TUBE LENGTH	HORIZONTAL TOP TUBE LENGTH	STAND OVER HEIGHT	HEAD ANGLE	SEAT ANGLE	CHAIN STAY LENGTH	HEAD TUBE LENGTH	BOTTOM BRACKET HEIGHT	FORK OFFSET (RAKE)	WHEEL BASE	BB DROP	FC
	mm	mm	mm	DEGREES	DEGREES	mm	mm	mm	mm	mm	mm	mm

BUMP 26"	<b>SM</b>	330	546.1	719	69	73	407	100	304	40	1026	35	628
BUMP 24"	<b>XS</b>	300	526	685	68	73	375	100	310	40	996	0	620





# GEOMETRY

SIZE	D SEAT TUBE LENGTH mm	C HORIZONTAL TOP TUBE LENGTH mm	G STAND OVER HEIGHT mm	A HEAD ANGLE DEGREES	B SEAT ANGLE DEGREES	E CHAIN STAY LENGTH mm	H HEAD TUBE LENGTH mm	K BOTTOM BRACKET HEIGHT mm	J FORK OFFSET (RAKE) mm	F WHEEL BASE mm	L BB DROP mm	M FC mm	
<b>MOUNTAIN / TRAIL / FULL SUSPENSION</b>													
SENSOR CARBON TEAM / PRO / EXPERT / FRAME	<b>S</b>	449	574	742	67.5	73	440	98	339	42	1122	14	682
	<b>M</b>	474	602	762	68.5	73	440	109	339	42	1140	14	700
	<b>L</b>	500	631	782	68.5	73	440	125	339	42	1170	14	730
	<b>XL</b>	526	659	794	68.5	73	440	141	339	42	1200	14	760
SENSOR PRO / EXPERT / ELITE / COMP	<b>XS</b>	390	556	731	68	73.5	440	92	335	42	1094	18	655
	<b>S</b>	406	572	737	68.5	73.5	440	92	335	42	1105	18	666
	<b>M</b>	426	601	724	68.5	73.5	440	108	335	42	1135	18	696
	<b>L</b>	476	629	751	68.5	73.5	440	124	335	42	1165	18	726
	<b>XL</b>	527	658	793	68.5	73.5	440	140	335	42	1195	18	756
SENSOR X PRO / EXPERT	<b>S</b>	406	576	745	66.3	72.3	440	92	344	42	1127	9	687
	<b>M</b>	426	604	732	67.3	72.3	440	108	344	42	1145	9	705
	<b>L</b>	476	633	759	67.3	72.3	440	124	344	42	1175	9	735
<b>MOUNTAIN / TRAIL / HARDTAIL</b>													
KARAKORAM EXPERT / ELITE / COMP / SPORT	<b>S</b>	420	584	734	70.5	73.5	445	110	315	45	1087	58	649
	<b>M</b>	471	603	772	71	73	445	110	315	45	1095	58	656
	<b>L</b>	507	623	802	71	73	445	110	315	45	1115	58	676
	<b>XL</b>	545	642	833	71	72.5	445	120	315	45	1128	58	689
AVALANCHE EXPERT / ELITE / COMP / SPORT	<b>XS</b>	355	569	708	69.5	72.7	435	90	312	42	1066	45	635
	<b>S</b>	380	585	724	69.5	72.7	435	90	312	42	1082	45	651
	<b>M</b>	430	610	756	69.5	72.7	435	92	312	42	1106	45	675
	<b>L</b>	485	683	797	69.5	72.7	435	108	312	42	1135	45	704
	<b>XL</b>	540	667	836	69.5	72.7	435	124	312	42	1166	45	734
<b>MOUNTAIN / XC</b>													
HELION CARBON TEAM / PRO / EXPERT / FRAME	<b>S</b>	460	579	824	69.5	70.5	438	90	325	42	1062	26	625
	<b>M</b>	460	606	826	69.5	70.5	438	103	325	42	1090	26	653
	<b>L</b>	490	634	849	69.5	70.5	438	119	325	42	1118	26	681
	<b>XL</b>	520	664	873	69.5	70.5	438	135	325	42	1148	26	711
HELION PRO / EXPERT / ELITE / COMP	<b>XS</b>	460	553	785	69.1	70.5	438	90	325	42	1076	26	639
	<b>S</b>	460	579	785	69.5	70.5	438	90	325	42	1062	26	625
	<b>M</b>	460	606	785	69.5	70.5	438	103	325	42	1090	26	653
	<b>L</b>	490	634	807	69.5	70.5	438	119	325	42	1118	26	681
	<b>XL</b>	520	664	830	69.5	70.5	438	135	325	42	1148	26	711
ZASKAR CARBON 9R LTD / PRO / EXPERT / ELITE	<b>S</b>	465	571	758	71	74.5	445	110	307	43	1045	65	608
	<b>M</b>	475	604	767	72	73.5	445	110	307	43	1073	65	636
	<b>L</b>	512	629	797	72	73.5	445	120	307	43	1098	65	661
	<b>XL</b>	550	645	828	72	73	445	130	307	43	1113	65	676
ZASKAR LE EXPERT / ELITE / COMP / SPORT	<b>XS</b>	355	569	708	69.5	72.7	435	90	312	42	1066	45	635
	<b>S</b>	380	585	724	69.5	72.7	435	90	312	42	1082	45	651
	<b>M</b>	430	610	756	69.5	72.7	435	90	312	42	1106	45	675
	<b>L</b>	510	638	797	69.5	72.7	435	90	312	42	1135	45	704
	<b>XL</b>	485	667	836	69.5	72.7	435	90	312	42	1166	45	734



# GEOMETRY

		D	C	G	A	B	E	H	K	J	F	L	M
	SIZE	SEAT TUBE LENGTH	HORIZONTAL TOP TUBE LENGTH	STAND OVER HEIGHT	HEAD ANGLE	SEAT ANGLE	CHAIN STAY LENGTH	HEAD TUBE LENGTH	BOTTOM BRACKET HEIGHT	FORK OFFSET (RAKE)	WHEEL BASE	BB DROP	FC
		mm	mm	mm	DEGREES	DEGREES	mm	mm	mm	mm	mm	mm	mm
<b>MOUNTAIN / RECREATIONAL HARDTAIL</b>													
TIMBERLINE EXPERT / COMP	<b>S</b>	420	571	734	71	74	445	110	305	46	1061	65	623
	<b>M</b>	470	605	767	72	74	445	110	305	46	1106	65	653
	<b>L</b>	507	629	799	72	73	445	120	305	46	1110	65	669
	<b>XL</b>	545	645	828	72	73	445	130	305	46	1122	65	685
AGGRESSOR EXPERT / COMP / SPORT	<b>XS</b>	355	569	727	69.5	72.7	435	90	312	42	1065	45	634
	<b>S</b>	380	588	727	69.5	72.7	435	100	312	42	1085	45	654
	<b>M</b>	430	615	762	69.5	72.7	435	110	312	42	1113	45	681
	<b>L</b>	485	644	804	69.5	72.7	435	130	312	42	1143	45	711
	<b>XL</b>	540	675	845	69.5	72.7	435	150	312	42	1175	35	743
AGGRESSOR XS 26"	<b>XS</b>	355	568	694	70.5	72.7	420	110	303	40	1040	35	5623

<b>MOUNTAIN / RECREATIONAL HARDTAIL</b>													
PALOMAR (TRADITIONAL)	<b>S</b>	416	546	693	71	73.5	420	115	298	41	1020	35	603
	<b>M</b>	466	577	735	71	73.5	420	130	298	41	1051	35	634
	<b>L</b>	505	595	768	71	73.5	420	145	298	41	1070	35	653
	<b>XL</b>	542	618	799	71	73.5	420	160	298	41	1094	35	677

		D	C	O	P	G	A	B	E	H	K	J	F	L	M
	SIZE	SEAT TUBE LENGTH	HORIZONTAL TOP TUBE LENGTH	STACK	REACH	STAND OVER HEIGHT	HEAD ANGLE	SEAT ANGLE	CHAIN STAY LENGTH	HEAD TUBE LENGTH	BOTTOM BRACKET HEIGHT	FORK OFFSET (RAKE)	WHEEL BASE	BB DROP	FC
		mm	mm	mm	mm	mm	DEGREES	DEGREES	mm	mm	mm	mm	mm	mm	mm
<b>ROAD / ENDUROROAD</b>															
GRADE CARBON ULTEGRA / 105	<b>51 (XS)</b>	495	515	534	367	742	69	74.5	430	121	280	45	1017	70	597
	<b>53 (S)</b>	535	535	557	370	772	70	73.5	430	142	280	45	1019	70	599
	<b>55 (M)</b>	550	550	578	373	786	70.5	73	430	162	280	45	1025	70	605
	<b>56 (L)</b>	560	565	601	381	800	71.5	73	430	182	280	45	1031	70	610
	<b>58 (XL)</b>	605	580	627	382	829	72	72.5	430	207	280	45	1035	70	615
	<b>60 (XXL)</b>	635	600	650	389	843	72	72	430	231	280	45	1049	70	628
GRADE ALLOY X / 105 / TIAGRA / CLARIS	<b>51 (XS)</b>	495	515	534	367	735	69	74.5	430	121	280	45	1017	70	597
	<b>53 (S)</b>	535	535	557	370	766	70	73.5	430	142	280	45	1019	70	599
	<b>55 (M)</b>	550	550	578	373	782	70.5	73	430	162	280	45	1025	70	605
	<b>56 (L)</b>	560	565	601	381	796	71.5	73	430	182	280	45	1031	70	610
	<b>58 (XL)</b>	605	580	627	382	835	72	72.5	430	207	280	45	1035	70	615
	<b>60 (XXL)</b>	635	600	650	389	861	72	72	430	231	280	45	1049	70	628

<b>ROAD / SPORTIVE</b>															
GTS ELITE / EXPERT / COMP / SPORT	<b>50 (XS)</b>	470	522	525	376	710	72	74	420	111	268	45	985	72	575
	<b>52 (S)</b>	490	533	536	379	728	72.5	74	420	121	268	45	987	72	577
	<b>54 (M)</b>	510	544	555	379	748	72.5	73.5	420	141	268	45	993	72	584
	<b>56 (L)</b>	530	559	572	389	769	72.5	73.5	420	161	268	45	1009	70	599
	<b>58 (XL)</b>	550	575	593	394	788	73	73	420	181	268	45	1015	70	605
	<b>60 (XXL)</b>	570	591	612	398	808	73	72.5	420	201	268	45	1025	70	615





# GEOMETRY

		D	C	G	A	B	E	H	K	J	F	L	M
	SIZE	SEAT TUBE LENGTH	HORIZONTAL TOP TUBE LENGTH	STAND OVER HEIGHT	HEAD ANGLE	SEAT ANGLE	CHAIN STAY LENGTH	HEAD TUBE LENGTH	BOTTOM BRACKET HEIGHT	FORK OFFSET (RAKE)	WHEEL BASE	BB DROP	FC
		mm	mm	mm	DEGREES	DEGREES	mm	mm	mm	mm	mm	mm	mm
<b>ROAD / PERFORMANCE</b>													
TACHYON EXPERT / ELITE / COMP	<b>XS</b>	450	541	704	70.5	74.5	435	115	275	50	1038	70	613
	<b>S</b>	470	545	724	70.5	74	435	130	275	50	1038	70	612
	<b>M</b>	490	552	748	71.5	73.5	435	160	275	45	1027	70	602
	<b>L</b>	510	565	769	72.5	73	435	180	275	45	1025	70	599
	<b>XL</b>	530	577	789	72.5	73	435	200	275	45	1037	70	612
	<b>XXL</b>	550	592	809	72.5	72	435	220	275	45	1041	70	616
<b>URBAN / CITY</b>													
EIGHTBALL	<b>XXS</b>	480	494	721	71	76.5	425	90	277	43	987	63	570
	<b>XS</b>	500	509	739	72	76	425	100	277	43	990	63	573
	<b>S</b>	520	528	758	73	75	425	110	280	43	994	60	576
	<b>M</b>	540	546	775	73	75	425	120	280	43	1012	60	595
	<b>L</b>	560	567	798	74	74	425	140	285	43	1017	55	598
	<b>XL</b>	580	587	817	74	74	425	160	285	43	1037	55	618
SPEEDBALL	<b>XXS</b>	480	494	721	71	76.5	420	90	277	43	982	63	570
	<b>XS</b>	500	509	739	72	76	420	100	277	43	985	63	573
	<b>S</b>	520	528	758	73	75	420	110	280	43	989	60	576
	<b>M</b>	540	546	775	73	75	420	120	280	43	1007	60	595
	<b>L</b>	560	567	798	74	74	420	140	285	43	1012	55	598
	<b>XL</b>	580	587	817	74	74	420	160	285	43	1032	55	618
MEATBALL	<b>XXS</b>	480	494	721	71	76.5	415	90	277	43	977	63	570
	<b>XS</b>	500	509	739	72	76	415	100	277	43	980	63	573
	<b>S</b>	520	528	758	73	75	415	110	280	43	984	60	576
	<b>M</b>	540	546	775	73	75	415	120	280	43	1002	60	595
	<b>L</b>	560	567	798	74	74	415	140	285	43	1007	55	598
	<b>XL</b>	580	587	817	74	74	415	160	285	43	1027	55	618
TRAFFIC 1.0 / 2.0	<b>XS</b>	370	535	687	71	74	445	135	292	45	1009	59	586
	<b>S</b>	420	550	726	71.5	74	445	150	292	45	1023	59	600
	<b>M</b>	475	565	760	71.5	73.5	445	160	292	45	1051	59	613
	<b>L</b>	525	585	791	72	73.5	445	160	292	45	1069	59	630
	<b>XL</b>	580	590	830	72	73	445	175	292	45	1070	59	632
	<b>XXL</b>	630	605	865	72	73	445	195	292	45	1086	59	647
<b>URBAN / SPORT</b>													
TRANSEO 1.0 / 2.0 / 3.0 / 4.0	<b>XS</b>	406	545	631	70.5	74	450	155	273	50	1055	72	615
	<b>S</b>	448	559	707	71	74	450	155	273	50	1064	72	625
	<b>M</b>	492	572	742	72	74	450	155	273	50	1067	72	627
	<b>L</b>	543	591	780	72	74	450	155	273	50	1086	72	645
	<b>XL</b>	594	598	822	72	73.5	450	175	273	50	1088	72	647
	<b>XXL</b>	644	609	866	72	73.5	450	205	273	50	1100	72	660
<b>WOMENS / MOUNTAIN / RECREATIONAL HARDTAIL</b>													
LAGUNA 26"	<b>S</b>	356	528	560	70	74	436	100	300	45	1035	40	602
	<b>M</b>	407	541	560	70	74	436	115	300	45	1048	40	615
PALOMAR (STEP-THROUGH)	<b>S</b>	356	530	591	70	74	436	100	300	45	1035	40	602
	<b>M</b>	407	542	593	70	74	436	115	300	45	1048	40	615
<b>WOMENS / URBAN</b>													
TRANSEO 2.0 / 3.0 / 4.0 (STEP-THROUGH)	<b>S</b>	388	515	588	70.5	75.5	450	110	273	50	1041	72	601
	<b>M</b>	432	544	588	71	74	450	110	273	50	1049	72	609
	<b>L</b>	483	553	592	71	73.5	450	130	273	50	1053	72	614



# GEOMETRY

		A	B	C	D	E	F	G	H	I	J	K	L	M	N
	SIZE	ACTUAL TOP TUBE LENGTH	RIDER AREA	CHAINSTAY LENGTH	FRONT CENTER	WHEEL BASE	SEAT TUBE LENGTH	BB DROP (NEG. IS UP)	BOTTOM BRACKET HEIGHT	AXLE TO CROWN	FORK OFFSET (RAKE)	HEAD ANGLE	SEAT ANGLE	HEAD TUBE LENGTH	SEAT POST
		INCH	INCH	INCH	INCH	DEGREES	DEGREES	INCH	INCH	INCH	INCH	DEGREES	DEGREES	INCH	DIAM.
<b>BMX</b>															
WISE SIGNATURE FRAME	U	21.25	22.9	13.75	23.4	37	9.6	-1.77	12	12.6	1.2	75	72.5	4.9	25.4
DLSY SIGNATURE FRAME	U	21	22.6	13.75	23.1	36.7	9.7	-1.77	12	12.6	1.2	75	71	4.7	25.4
WISE SIGNATURE	U	21.25	23	13.75	23.4	37	9.3	-1.4	11.6	12.6	1.2	75	71	4.7	25.4
DLSY SIGNATURE	U	21	22.8	13.75	23.1	36.4	9.3	-1.4	11.6	12.6	1.2	75	71	4.7	25.4
WISE XL	U	20.75	22.6	13.75	23	36.1	9.3	-1.4	11.6	12.6	1.2	75	71	4.7	25.4
DLSY XL	U	20.5	22.4	13.75	22.3	36	9.3	-1.4	11.6	12.6	1.2	75	71	4.7	25.4
WISE	U	20.25	22.1	13.75	22.2	35.8	9.3	-1.4	11.6	12.6	1.2	74.5	71	4.5	25.4
DLSY	U	20	21.9	13.75	21.9	35.5	9.3	-1.4	11.6	12.6	1.2	74.5	71	4.5	25.4
PERFORMER 20"	U	20.5	22.3	13.75	22.5	36	9.3	-1.4	11.6	12.6	1.2	74.5	71	4.5	25.4
PERFORMER 18"	U	18	19.7	13.75	20.1	32	8	-1.5	10.6	11.8	1.2	73.5	70	4	25.4
SLAMMER XL	U	20.75	22.4	13.75	22.7	36.3	9.3	-1.4	11.6	12.6	1.2	74.5	71	4	25.4
SLAMMER	U	20	21.8	13.75	21.9	35.5	9.3	-1.4	11.6	12.6	1.2	74.5	71	4	25.4
AIR	U	19.5	21.5	13.75	21.4	35	9.3	-1.4	11.6	12.6	1.2	74.5	71	4	25.4
<b>BMX / RACE</b>															
CARBON SPEED SERIES PRO XXL FRAME & FORK	U	21.5	23.2	14.5	23.9	38.7	9	-1.5	11.5	12.6	1.3	74	72	5	27.2
CARBON SPEED SERIES PRO XL FRAME & FORK	U	21	22.8	14.5	23.3	37.7	9	-1.5	11.5	12.6	1.3	74	72	5	27.2
CARBON SPEED SERIES PRO FRAME & FORK	U	20.5	22.4	14.5	22.8	37.2	9	-1.5	11.5	12.6	1.3	74	72	5	27.2
SPEED SERIES PRO XL	U	21	22.8	14.5	23.3	37.7	8.2	-1.5	11.5	12.6	1.3	74	72	5	27.2
SPEED SERIES PRO	U	20.5	22.4	14.5	22.8	37.1	8.3	-1.5	11.5	12.6	1.3	74	72	5	27.2
SPEED SERIES PRO 24"	U	21.8	24.5	15.4	23.4	39.3	9.4	0	11.7	14.4	1.3	73	70	5	27.2
SPEED SERIES XXXL FRAME ONLY	U	22	23.6	15.5	24.4	39.3	8.3	-1.5	11.3	12.6	1.3	74	72	5	27.2
SPEED SERIES XXL FRAME ONLY	U	21.5	23.2	15	23.9	38.7	8.3	-1.5	11.3	12.6	1.3	74	72	5	27.2
PRO SERIES PRO XL	U	21	22.9	14.8	23.6	38.3	9.2	-1.5	11.3	12.6	1.4	74	72	4.7	27.2
PRO SERIES PRO XXL OS	U	21.6	23.7	14.8	23.6	38.5	9.9	-0.8	11.5	13	1.2	74	72	4.7	27.2
PRO SERIES PRO 24"	U	21.8	24.5	15.5	23.6	39.1	10.6	0	11.7	14.4	1.4	73	72	4.7	27.2
PRO SERIES PRO	U	20.6	22.4	14.3	23.1	37.2	9.2	-1.5	11.3	12.6	1.4	74	72	4.7	27.2
PRO SERIES EXPERT	U	19.3	20.8	13.6	21.4	35	9.2	-1	11.5	12	1.3	73	70	4	25.4
PRO SERIES JR.	U	18.5	20.2	13.5	20.6	34	9.2	-1	11.3	12	1.3	73	70	4	25.4
PRO SERIES MINI	U	17	19	13	19.2	32.1	7.9	-1	11	12	1.3	72	70	4	25.4
PRO SERIES MICRO 18"	U	16.3	18.1	12.4	18.7	30.9	7.9	-1	9.9	11	1.3	72	71	4	25.4





# GEOMETRY

	A	B	C	D	E	F	G	H	I	J	K	L	M	N	
SIZE	ACTUAL TOP TUBE LENGTH	RIDER AREA	CHAINSTAY LENGTH	FRONT CENTER	WHEEL BASE	SEAT TUBE LENGTH	BB DROP (NEG. IS UP)	BOTTOM BRACKET HEIGHT	AXLE TO CROWN	FORK OFFSET (RAKE)	HEAD ANGLE	SEAT ANGLE	HEAD TUBE LENGTH	SEAT POST	
	INCH	INCH	INCH	INCH	DEGREES	DEGREES	INCH	INCH	INCH	INCH	DEGREES	DEGREES	INCH	DIAM.	
<b>BMX / RACE</b>															
POWER SERIES PRO	U	20.6	22.3	14.2	23.1	37.2	9.2	-1.5	11.3	12.6	1.4	74	72	4	27.2
POWER SERIES 24"	U	21.9	24.4	15.5	23.7	39.3	10.6	0	11.7	14.4	1.4	73	70	4	27.2
POWER SERIES JUNIOR	U	18.5	20.2	13.5	20.6	34	7.6	-1	11.3	12	1.3	73	70	3.5	25.4
INTERCEPTOR PRO FRAME	U	20.5	22.5	14.5	22.8	37.2	10	-1.5	11.5	12.6	1.3	74	72	5	27.2
INTERCEPTOR PRO XL FRAME	U	21	22.9	14.5	23.3	37.7	10	-1.5	11.5	12.6	1.3	74	72	5	27.2
INTERCEPTOR PRO XXL FRAME	U	21.5	23.2	15	23.85	38.7	10	-1.5	11.5	12.6	1.3	74	72	5	27.2
INTERCEPTOR PRO 24" FRAME	U	21.75	24.5	15.35	23.5	38.9	10.5	0	11.7	14	1.3	73	72	5	27.2
MACH ONE PRO 20"	U	20.5	22.2	14.3	23.1	37.3	9.2	-1.5	11.2	12.6	1.5	74	72	4	25.4
MACH ONE EXPERT 20"	U	18	20.5	14.1	19.9	34	9.3	0	9.8	12.3	1.3	73	71	4	25.4
MACH ONE PRO 24"	U	21.8	24.3	15.7	23.8	39.4	10.6	0	11.7	14.4	1.5	73	70	4	25.4
MACH ONE 16" PUSH	U	15.5	17.9	12	17	29.1	7.9	0	8.1	10.5	0.9	72	71	3.5	22.2
MACH ONE 12" PUSH	U	12.1	15	14.6	12.6	21.9	9.5	1.4	7.1	8.3	0.7	73	70	3	22.2

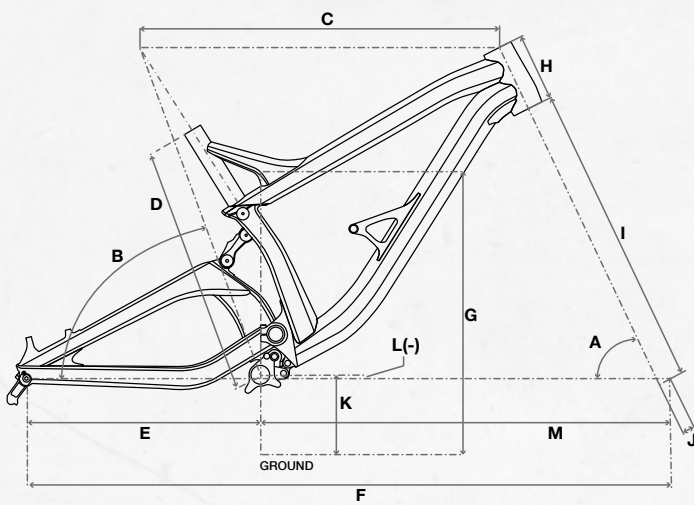
	D	C	G	A	B	E	H	K	J	F	L	M	
SIZE	SEAT TUBE LENGTH	HORIZONTAL TOP TUBE LENGTH	STAND OVER HEIGHT	HEAD ANGLE	SEAT ANGLE	CHAIN STAY LENGTH	HEAD TUBE LENGTH	BOTTOM BRACKET HEIGHT	FORK OFFSET (RAKE)	WHEEL BASE	BB DROP	FC	
	mm	mm	mm	DEGREES	DEGREES	mm	mm	mm	mm	mm	mm	mm	
<b>KIDS / BOYS</b>													
AGGRESSOR 24" BOYS	U	345	510	600	70	73	410	105	282	40	981	18	572
AGGRESSOR 20" BOYS	U	280	483.5	603.9	69.5	71	380	105	254	38	911.9	10	532

<b>KIDS / GIRLS</b>														
	A	B	C	D	E	F	G	H	I	J	K	L	M	N
SIZE	ACTUAL TOP TUBE LENGTH	RIDER AREA	CHAINSTAY LENGTH	FRONT CENTER	WHEEL BASE	SEAT TUBE LENGTH	BB DROP (NEG. IS UP)	BOTTOM BRACKET HEIGHT	AXLE TO CROWN	FORK OFFSET (RAKE)	HEAD ANGLE	SEAT ANGLE	HEAD TUBE LENGTH	SEAT POST
	INCH	INCH	INCH	INCH	DEGREES	DEGREES	INCH	INCH	INCH	INCH	DEGREES	DEGREES	INCH	DIAM.
LAGUNA 24" GIRLS	U	375	523	516	70	73	410	95	275	40	990	25	582	
LAGUNA 20" GIRLS	U	280	483.5	603.9	69.5	71	380	105	254	38	911.9	10	532	
LAGUNA 16" GIRLS	U	218	430	426	72	65.2	310	90	206	23.4	720	0	410	
LAGUNA 12" GIRLS	U	179	339	346	72	65.5	247	90	186	23.3	593	-30	349	

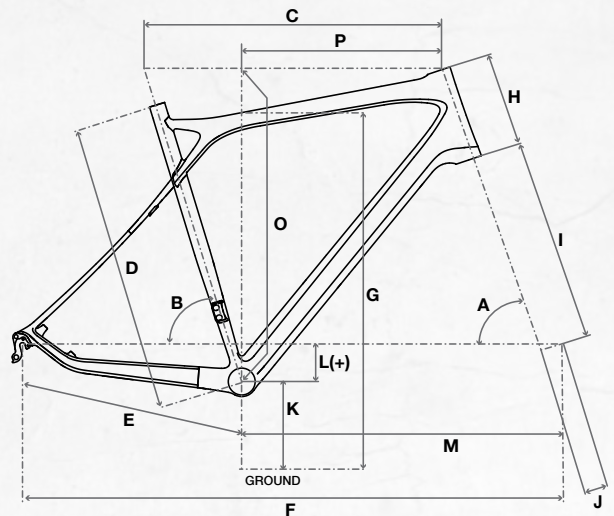
	A	B	C	D	E	F	G	H	I	J	K	L	M	N	
SIZE	ACTUAL TOP TUBE LENGTH	RIDER AREA	CHAINSTAY LENGTH	FRONT CENTER	WHEEL BASE	SEAT TUBE LENGTH	BB DROP (NEG. IS UP)	BOTTOM BRACKET HEIGHT	AXLE TO CROWN	FORK OFFSET (RAKE)	HEAD ANGLE	SEAT ANGLE	HEAD TUBE LENGTH	SEAT POST	
	INCH	INCH	INCH	INCH	DEGREES	DEGREES	INCH	INCH	INCH	INCH	DEGREES	DEGREES	INCH	DIAM.	
<b>DYNO</b>															
DYNO VFR 20"	U	20	21.7	13.8	22.3	36	9.5	-1.8	12	320	1.2	74	72	4	25.4
DYNO VFR 18"	U	18	19.5	12.8	20	32.7	8	-1.5	10.6	300	1.2	73	70	3.5	25.4
DYNO VFR 16"	U	16	17.6	11.8	18.4	30	8	-1.4	9.5	275	1.2	72	71	3.5	25.4
DYNO VERTIGO 20"	U	20	21.7	13.8	22.1	35.7	9.5	-1.8	12	320	1.2	74.5	71.5	4	25.4
DYNO VERTIGO 16"	U	15.6	16.9	12	17.8	29.6	8.3	-1.4	9.5	275	1.3	72	70.0	3	25.4
DYNO VERTIGO 12"	U	12	13.2	10	14.6	24.5	6.9	-1.2	7.3	214	1.2	69	69.0	3	25.4



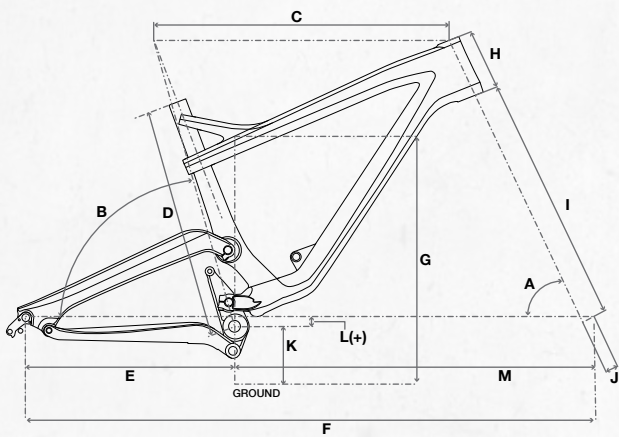
# GEOMETRY



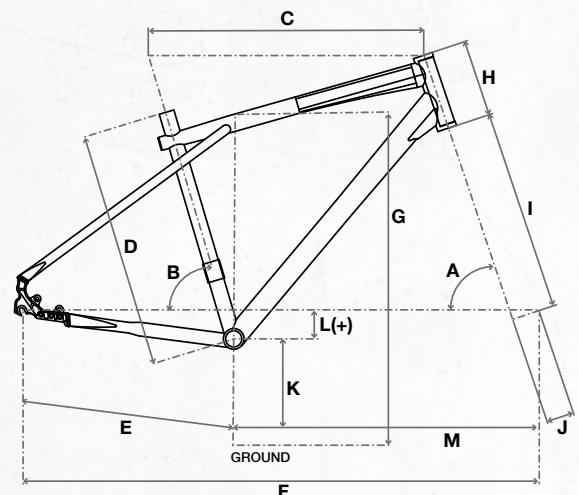
**FURY / SANCTION**



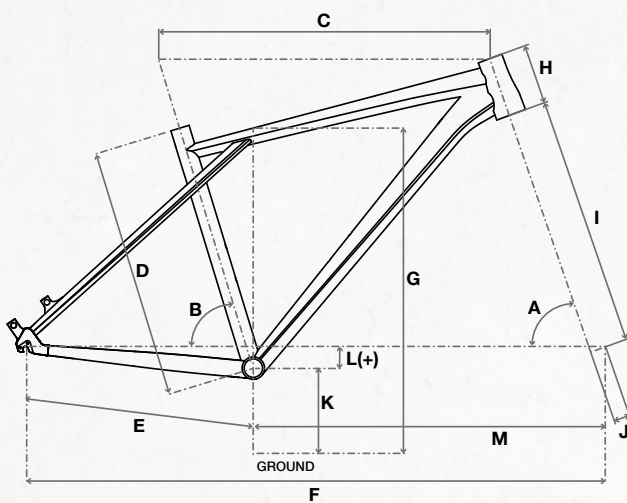
**ROAD**



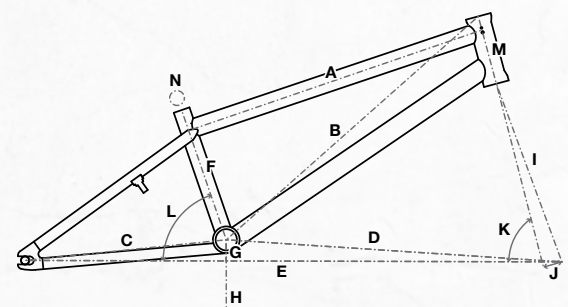
**FORCE / SENSOR / HELION**



**URBAN**



**ZASKAR / KARAKORAM / AVALANCHE  
AGGRESSOR / BUMP / KIDS**



**BMX / MTBMX / DYN0**